

# MICRO

## THE 6502 JOURNAL

### SAMPLE MACHINE LANGUAGE PROGRAM AS INPUTTED FROM THE KEYBOARD

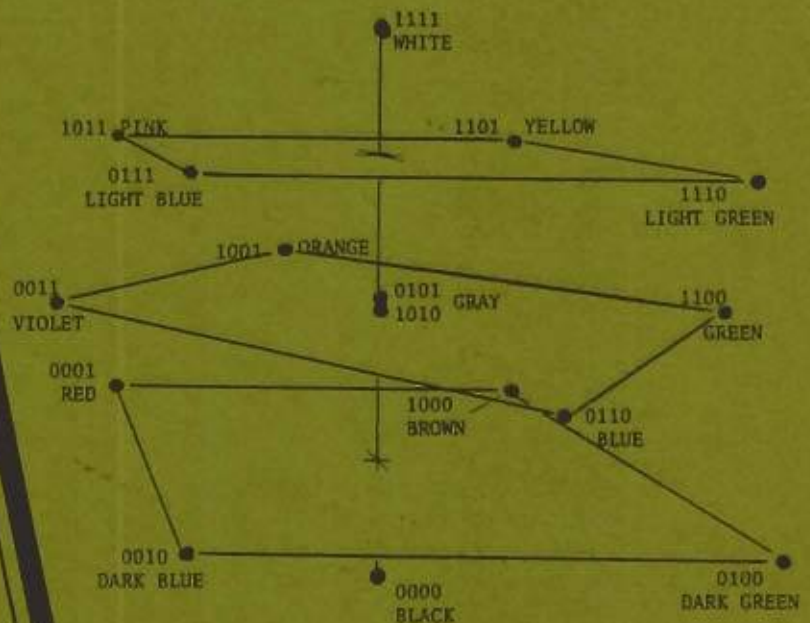
```
? ORG 826
? LDAIM 102
? LDXIM 0
? STAX 32768
? INX
? BEQ 3
? JMP 830
? NOP
? NOP
? STAX 33024
? INX
? BEQ 3
? JMP 841
? BRK
? END
```

A Simple 6502  
Assembler for the PET  
by Michael J. McCann

Complete Listings

### SAMPLE MACHINE LANGUAGE PROGRAM LISTING

```
826 033A A9 66 LDAIM 102
828 033C A2 00 LDXIM 0
830 033E 9D 00 80 STAX 32768
833 0341 E8 INX
834 0342 F0 03 BEQ 3
836 0344 4C 3E 03 JMP 830
839 0347 EA NOP
840 0348 EA NOP
841 0349 9D 00 81 STAX 33024
844 034C E8 INX
845 034D F0 03 BEQ 3
847 034F 4C 49 03 JMP 841
850 0352 00 BRK
```



Brown and White and Colored All Over  
by Richard F. Suitor

Understanding your Apple's Color



# COMPUTER SHOP

288 NORFOLK ST. CAMBRIDGE, MASS. 02139

corner of Hampshire & Norfolk St. 617-661-2670

NOW WE HAVE OSI



**C3-S1 Challenger III System with Dual Drive Floppy**  
**\$3,590.00**

Complete with 32K RAM Memory, Dual Drive Floppy, Serial Port, cabinets and power supplies. This Challenger III features an eight slot heavy-duty main frame. You add only a serial ASCII Terminal.



**C2-S2S 32K RAM Serial Challenger II with Dual Drive Floppy**  
**\$3,090.00**

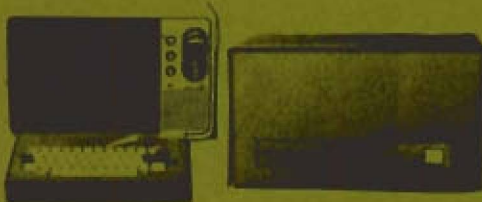
Comes complete with 32K RAM Memory, Dual Drive Floppy Disk (500,000 characters storage), 6502 processor and serial port. You add only a serial ASCII Terminal to be up and running.

**C2-S1S Serial Challenger II with Single Drive Floppy**  
**\$1,990.00**

Comes complete with 16K RAM Memory, Single Drive Floppy Disk (250,000 characters storage), 6502 processor and serial port. You need to add only Serial ASCII Terminal.

**C2-S1V Video Challenger II with Single Drive Floppy**  
**\$2,490.00**

Comes complete with 16K RAM Memory, Single Drive Floppy Disk, 6502 processor, Challenger IIP type Video Interface and high quality keyboard. You add only a Video Monitor (or RF generator and tv set).



**C2-8P Challenger IIP with 8 Slot Cabinet**  
**\$825.00**

Offers all features of the Challenger IIP plus more room for expansion. The keyboard has a separate case with connector cable. The roomy cabinet and heavy duty power supply are designed to handle up to eight system boards (allowing for 6 slots of expansion).



**C2-4P Challenger IIP**  
**\$598.00**

## KIMS AND UPGRADES

VF8 4K Memory assembled & tested.....	129.00
for low power RAM add.....	10.00
same in kit form.....	74.50
full set of sockets for Kit.....	10.00
VF8 Motherboard buffered for 4 Boards.....	65.00
Connector Assembly for KIM to VF8.....	20.00
8K S100 Memory Board with instructions &.....	165.00
same but fully assembled and tested.....	199.00
CS100 Cabinet cut out for KIM.....	129.00
3 Connector S100 Motherboard Assembly.....	75.00
CGRS S100 TIM Kit.....	129.00
CGRS S100 6502 CPU Kit.....	179.00
CGRS S100 Front Panel Kit.....	129.00
XITEX Video Terminal Board 16X64K.....	155.00
XITEX Video Terminal Board Assembled.....	185.00
KIM-1.....	245.00
CS100 with CGRS, Xitex, 16KRAM, TV, KB.....	1529.00
Same but Assembled.....	1989.00
PS-5 Pwr Supp. 5V5A9V1A-12V1A6x6X2.....	75.00
PS-5 Assembled.....	90.00
Total of Order..Circle Items wanted.\$.....	
Mass. Residents Sales Tax 5%.....	\$.....
Shipping, 1%(\$2.00 min.).....	\$.....
Total Remittance or Charge.....	\$.....

BAC, VISA, MC NO. ....

SIGNATURE.....

NAME.....

ADDRESS.....

CITY.....

STATE.....

ZIP.....

MICRO Stuff and MICROBES	4
Design of a PET/TTY Interface by Charles R. Husbands	5
Shaping Up Your Apple by Michael Faraday	11
Apple II Starwars Theme by Andrew H. Eliason	13
Apple Pi by Robert J. Bishop	15
A Simple 6502 Assembler for the PET by Michael J. McCann	17
The MICRO Software Catalog: III by Mike Rowe	23
A Debugging Aid for the KIM-1 by Albert Gaspar	25
6502 Interfacing for Beginners: Address Decoding II by Marvin L. De Jong	29
Brown and White and Colored All Over by Richard F. Suitor	33
6502 Bibliography: Part V by William Dial	37
Programming a Micro-Computer: 6502, by Caxton C. Foster Reviewed by James R. Witt, Jr.	39
PET Composite Video Output by Cal E. Merritt	41
Power From the PET by Karl E. quosig	42
Classified Index: MICRO 1 - 6	43
Apple Integer BASIC Subroutine Pack and Load by Richard F. Suitor	45
A Partial List of PET Scratch Pad Memory by Gary A. Creighton	Back Cover

## Advertisers Index

Computer Shop	IFC	Computer Components	14
The Enclosures Group	2	Micro-Psych	21
The Computerist, Inc.	10	Connecticut microComputer	22
The Tax Store	12	United Microsystems Corp.	32
AB Computers	12	Darrell's Appeware House	36
Color-Tech TV	13	Personal Software	42
MICRO	13	PET-Shack Software House	42

MICRO is published bi-monthly by The COMPUTERIST, Inc., 56 Central Square, Chelmsford, MA 01824. Robert M. Tripp, Editor/Publisher. Controlled Circulation postage paid at Chelmsford, Massachusetts.

Single Copy: \$1.50 Annual Subscription: \$6.00 (6 issues) in USA

Copyright 1978 by The COMPUTERIST, Inc. All Rights Reserved.

# KEYBOARD WIZARDRY



## ENGINEERED SPECIFICALLY FOR THE CHERRY-PRO KEYBOARD

- Space Provided for Power Supply and Additional Boards
- Easy Access to Connectors
- Keyboard Positioned for Ease of Operation

## EASILY ASSEMBLED

- Requires Absolutely No Alteration of the PRO Keyboard
- All Fasteners Provided
- Goes Together in Minutes with a Small Screwdriver

## ATTRACTIVE FUNCTIONAL PACKAGE

- Professional Appearance
- Four Color Combinations
- Improves Man/Machine Interface

## MADE OF HIGH IMPACT STRENGTH THERMOFORMED PLASTIC

- Kydex 100\*
- Durable
- Molded-In Color
- Non-Conductive

## AVAILABLE FROM STOCK

- Allow Two to Three Weeks for Processing and Delivery
- No COD's Please
- Dealer Inquiries Invited

TO ORDER: 1. Fill in this Coupon (Print or Type Please)  
2. Attach Check or Money Order and Mail to:

NAME \_\_\_\_\_

STREET \_\_\_\_\_

CITY \_\_\_\_\_

STATE \_\_\_\_\_ ZIP \_\_\_\_\_

Please Ship Prepaid \_\_\_\_\_ SKB 1-1(s)  
@ \$33.75 Each

California Residents please pay  
\$35.94 (Includes Sales Tax)

\* TM Rohm & Haas

**the  
enclosures  
group**

55 stevenson, san francisco 94105

Color Desired blue  beige   
black  red

Patent Applied For

## IN THIS ISSUE ...

There were so many good articles submitted for this issue of MICRO that we have had to modify the format slightly to make more room. Most of the MICRO material has been reduced to approximately two-thirds its old size, providing about 50% more space per page. While this does make type smaller, it is still very readable. Some material, in particular program listings, were left full size. This new format will permit us to print a lot more material without increasing the cost of printing.

How do you get hardcopy from a PET? You could wait until Commodore comes out with a printer. Or you could buy one of the PET/RS232 adapters. Or you can use the techniques and software that are presented in "Design of a PET/TTY Interface" to quickly and cheaply use a standard TTY as a PET printer. The article by Charles R. Husbands provides both the hardware and the software required.

If you have wondered about how the characters formed on your Apple II, read "Shaping Up Your Apple" by Michael Faraday. In addition to explaining how the mechanism works, a couple of tables make it easy to make your own adaptations.

Now that STARWARS is back at your local drive-in, it seemed appropriate to print a short program by Andrew H. Eliason which presents the "Apple II Starwars Theme" - sounds of the main battle scene played on your Apple. While this program may give you some insight into the operation of your Apple, it is really included just for fun.

On a more serious vein, in spite of its humorous title, "Apple Pi" shows how to use BASIC to calculate mathematical functions. Robert J. Bishop presents the history of calculating Pi, and then provides a program which, given forty hours, can calculate the value of Pi to 1000 decimal places. In case you do not want to run the program yourself, the results of his run are printed. It might be a challenge to someone to write the equivalent code in assembly language and see how long it takes to run.

One of the most constant complaints of PET owners is the lack of support for assembly level programming on the PET, in spite of promises by Commodore for a ROM or tape of a machine code monitor. This will be partially alleviated by "A Simple 6502 Assembler for the PET" by Michael J. McCann, complete in this issue. The package presented here consists of the assembler, a save on tape routine, a load from tape routine, and a disassembler to produce listings. Two errors in the listing were discovered after that portion of MICRO was printed, so please make the following changes in the listings:

```
190 IF VAL(A$)<1 OR VAL(A$)>6 GOTO 180
```

```
15020 IF LEN(A$)=3 THEN MN$=A$:OP=0:RETURN
```

Since the "BASIC 6502 Disassembler" written by Michael for the last issue of MICRO was, with very minor modification, capable of running on an Apple as well as a PET, the assembler portion of this program is probably also modifiable for the Apple. The exercise is left for the reader, as the math books are fond of saying.

Part III of the MICRO Software Catalog has eight entries covering a wide variety of software and

systems. These range from a program to punch readable leader of a paper tape to FOCAL - a DEC high-level language similar to BASIC.

There is a "Call for Information" in regards to a MICRO Hardware Catalog which we hope to start carrying in the next issue. If you have hardware of interest to the 6502 community, then follow the instructions and submit your stuff.

A rather neat program which serves as "A Debugging Aid for the KIM-1", written by Albert Gaspar, provides some good support for the KIM-1 and resides totally in the "extra memory" from 1780 to 17E6. Four basic operations are given:

Insert BREAK points, MOVE blocks of data in memory, calculate BRANCH offsets, and CONTINUE execution of the program.

The program is very tightly coded and shows some ways to really pack your code.

The series on "6502 Interfacing for Beginners" continues with "Address Decoding II". This series, which began last issue and is written by Marvin L. De Jong, shows the novice how the microcomputer works via simple hardware and software projects.

One of the most obvious features of the Apple II is its color capabilities. The article "Brown and White and Colored All Over" by Richard F. Sutor explains in some detail the theory behind the color of the Apple. He also provides a few simple BASIC programs to allow the user to do some experimenting with color.

Part V of the "6502 Bibliography" by William Dial covers entries 335 through 360. Due to the "explosion" of material being written about the 6502, some changes have had to be made in the organization and content of the bibliography. Straight advertisements will no longer be referenced or will material contained in flyers. Minor articles in relatively obscure magazines may be omitted. And, where a single issue of a magazine has a lot of articles of interest, the individual references will be combined under one general magazine reference.

"Programming a Micro-Computer: 6502" a book by Caxton C. Foster, is reviewed by James R. Witt, Jr.

Cal E. Merritt discusses the "PET Composite Video Output", showing how it works and how to connect up to it. Karl E. Quosig shows how to get "Power from the PET", a method of getting +5V from your PET.

A "Classified Index: MICRO 1-6" lists all of the major articles and advertisements from the first volume/year of MICRO. Material is classified as General, KIM-1, Apple, PET, or Ads.

A very useful utility package is presented by Richard F. Sutor in "Apple Integer BASIC Subroutine Pack and Load". The assembly level program, which is presented in its entirety, permits the user to simply Pack and save his machine code on tape and the Load and unpack it.

"A Partial List of PET Scratch Pad Memory" is printed on the back cover as a reference guide for PET owners. This material was prepared by Gary A. Creighton, and should make using and understanding your PET much easier.

## MICRO STUFF AND MICROBES

### Apple Peelings

[Excerpts from a letter by Donald C. Scouten to the Editor, EDN, regarding the Apple/PIA stuff.]

"The difficulty in using PIA's and VIA's on the Apple II arises because of the way the Apple decodes the I/O select (pin 1) and device select (pin 41). These are activated only during phase 2 of a cycle that addresses the particular connector under consideration. Thus, if these selects are used ... to activate the CS (or not CS) on a PIA, the enable pin (pin 25) and the CS go active almost simultaneously. However the data sheets clearly require a 180 nsec setup time for the CS before the enable becomes active. This setup time is normally available on 6502 bus since the addresses are guaranteed to be valid 300 nsec into phase 1 (and thus your circuit worked on a KIM). It is, however, clearly impossible to use the internal Apple decoding and satisfy the PIA ... requirement of 180 nsec setup time.

The above problem should not be interpreted as a defect in the Apple II since it is a self consistent system and I/O ports can easily be added if desired.

My solution was to build a simple address decoder on my I/O board that uses the address lines instead of the selects. Thus the CS of the VIA is activated with sufficient setup time and the VIA works properly."

A note from Paul Farmer of Microproducts, 1024 17th St., Hermosa Beach, CA 90254, suggests using three buffers in series on a CMOS 4050 IC chip. Either phase 0 or phase 2 can be used as the input with enough delay for the setup of a PIA or VIA.

### PET Droppings

A new idea in magazines: CURSOR (tm) MAGAZINE is a monthly cassette of programs for the PET. You get five programs per month on cassette via 1st class mail. At \$24.00 per year (12 issues), the cost per program is \$.40 cents each. Of course, the actual value of the programs depends on their value to you. Write CURSOR, P.O. Box 550, Goleta, CA, 93017 for info or call 805/967-0905.

Mark Zimmerman, 619 Woodland Drive, Sierra Madre CA 91024 write about the LIFE game edges:

"If one copies the top and bottom edges of the screen (& left & right edges) to opposite sides, then simply applying the LIFE algorithm to the central (omitting extreme edges) arena gives correct wrap-around (toroidal) edge structure. Example:

```
A B C D
E F G H
I J K L
```

```
  L I J K L I
D A B C D A
H E F G H E
  L I J K L I
  D A B C D A
```

### Kim Klippings

The San Fernando Valley KIM-1 Users Club is off and running, according to a report from Jim Zuber. Meetings will be held the second Wed. of each month at 7:30 pm. Until another place can be found, meetings will be held in Jim's apartment: 20224 Cohasset #16, Canoga Park, CA 91306. Phone for info: 213/341-1610.

Michael Chibnik of 10445 Canoga Ave. Chatsworth CA 91311, had a few comments about Microsoft BASIC for the KIM: "I didn't get enough information on the peripherals that were used. A note about Microsoft BASIC is that most of the people who had bought it (in the above club) did not like the fact that the code for the interpreter is self modifying in many places and that it is not PROMable." [Editor: Someone reported that they had asked Johnson Computer about the PROMability of the Microsoft BASIC and was told that it is PROMable. Does anyone have any hard info on this subject?]

Robert Ford Denison, RD 5 Teeter Road, Ithaca, NY 14850 has developed a resident symbolic 6502 assembler which runs in 3K (4K recommended) and uses a "Qwerty" keyboard for input and the KIM display for output. To test it he is "offering a free 'sneak preview' of the assembler to a small group of 6502 users ... (since he) would appreciate comments on any parts of the documentation that are not perfectly clear. Write him for further information.

### General Garbage

You might want to write to Robert Elliott Purser at P.O. Box 466, El Dorado, CA 95623 and request a copy of his "World's Second Most Incomplete Software List for PET, Radio Shack, Apple & Sol"

### MICROBES

Applayer Music Interpreter, Suitor, 5:29:

```
5:30 0A20- 82 20 0B
5:31 0A00: 83 90 0F 83 90 0F FF
      0F18: 1C 1A 18 1A 91 1C 38 18
      0F50: 81 55 55 55 FF
      0F58: 81 05 05 05 FF
      0F90: 83 58 0F D4 B0 83 50 0F 83
      0810: 48 02 28 02 08 02 E8 01
```

These problems are in the music and tone table, and were caused by the 8's on his TTY looking very much like 0's. Make the changes and the music will probably sound better.

A BASIC 6502 Disassembler for Apple and PET, McCann, 5:25:

```
5:26 3020: DC=IB:GOSUB 1000
5:27 6000: ASL should be ASLZ
      6100: CLC should be CLI
      6120: JMI should be JMPI
      6250: CPX should be CPXZ
```

D/A and A/D Conversion Using the KIM-1, De Jong, 2:11: IC should be labeled "1408" and pin 14 should have 1.5K resistor to +5, while pin 13 goes directly to +5V (check spec sheets on 1408 to be absolutely sure of connections).

0308 4C 0403 should be 4C 05 03

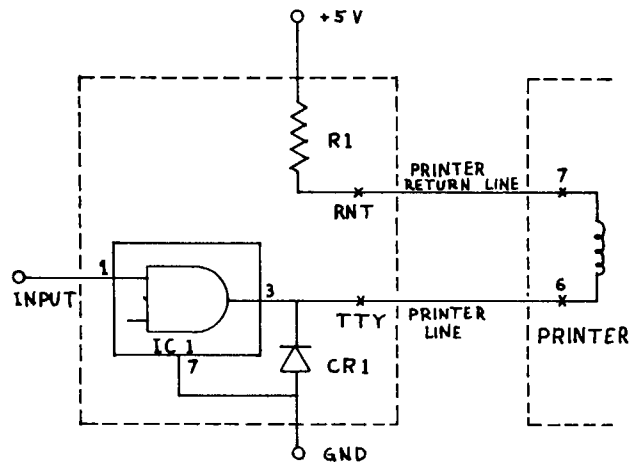
## DESIGN OF A PET/TTY INTERFACE

Charles R. Husbands  
24 Blackhorse Drive  
Acton, MA 01720

With the recent acquisition of a PET Computer one of the facilities that was immediately needed was a method of obtaining hard copy listings of programs under development. In addition to the PET I had an ASR 33 Teletype Unit available which had been interfaced to my KIM-1. This article describes the hardware interface and associated software necessary to use the ASR 33 TTY as a printing facility for the PET. An important design goal for the interface was to develop the software to remain resident in the computer in such a manner that the program under development could be loaded, run and listed without disturbing the listing program.

### The Interface Circuit

Figure 1 shows the 20 ma current loop circuit required to interface the ASR 33 to the PET. The circuit consists of an open collector NAND gate to provide the proper buffering, a diode and a pull up resistor. The completed circuit was built on a small perforated board. The PET supplies power and ground to the interface board from the second Cassette Interface. The input signal is delivered from PA0 on the PET parallel user port. The interface board is connected to the teletype by means of the PRINTER and PRINTER RETURN lines. These lines attach to terminals 6 and 7 respectively on the ASR 33.



Parts List

IC1	7438	Quad 2 Input NAND Open Collector
CR1	1N4001	1A 50V Diode
R1	150 ohm	1/2 Watt Resistor

Figure 1.

A fairly simple circuit for buffering the control signal from the PET Computer and converting that signal to a current level capable of driving the printer mechanism on an ASR 33 TTY Unit.

### Program Design

In order to allow the listing program to remain resident in the machine to list other programs under development, the program was written in machine language to be stored in Tape Buffer 2. Figure 2 shows a simple memory map of the PET random access memory allocations. Without a second tape cassette unit, a memory buffer of 198 bytes is available. When another program is loaded from tape or the NEW instruction is executed the operating system zeros out memory locations 1024 and above. However, it leaves the memory locations below 1024 undisturbed. To execute a machine language program the USR instruction must be called. The USR command uses a pair of memory location pointers stored in memory locations 1 and 2 to establish the first location in machine language code to be processed. Locations 1 and 2 are not modified by the loading of a program from tape or the execution of the NEW instruction.

8192 .....	\$1200
Program Storage	
1024 .....	\$0500
Tape Buffer 2	
826 .....	\$033A
Tape Buffer 1	
634 .....	\$027A
BASIC and Operating System Working Space	
2 .....	\$0002
USR Control Pointers	
0 .....	\$0000

Figure 2.

A Map of the PET Random Access Memory Space. The Listing Program resides in machine language in Tape Buffer 2.

A flow diagram of the Listing Algorithm is shown in Figure 3. The program after proper initialization examines the first character of the third line in the display for a value corresponding to the letter "R". It is the letter R appearing in the first display column which is used by the Listing Program to exit the listing algorithm and return control of the program to the calling routine. The R in the first column would normally correspond to the READY displayed by the computer at the end of a requested listing block or at the completion of an executed RUN. If the character in the first column is anything but an R the program executes a carriage return and then a line feed. The program examines the next displayed character and translates it from display format to ASCII format. The subroutine PRINT is then called.

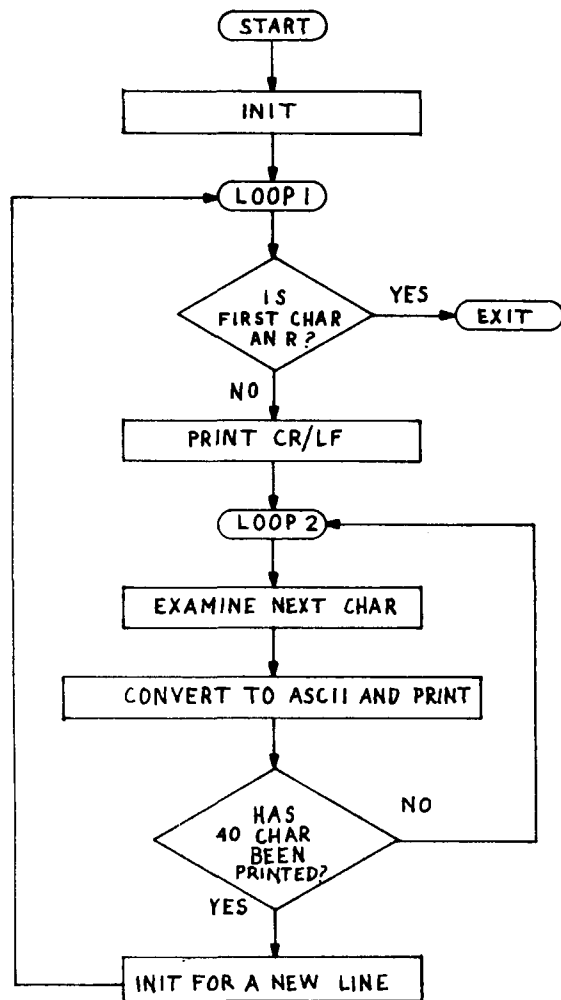


Figure 3.

A general listing algorithm for use with the TTY Listing Program. The software control of the output port is done in the PRINT subroutine.

The subroutine PRINT\* is a machine language program which times out the proper serial bit pattern to the TTY to execute the printing of the designated letter. After each character is printed a counter is incremented and tested to determine if the 40 character line has been completed. If 40 characters have not been printed the next display character is examined. At the end of each line the first character of the next line is examined for an R before a carriage return and line feed is executed.

A listing of the program in BASIC format is shown in Listing 1. The program was originally hand assembled in 6502 machine language. The machine language program was then converted from hexadecimal to decimal and formatted as a series of POKE instructions. The machine language memory address pointers were also POKED into locations 1 and 2 by the BASIC program. The print-out appearing in Listing 1 was produced on the authors TTY using the Listing Program.

\* The PRINT subroutine is a modified version of the "PRINT 1 CHAR" program developed by MOS Technology for the KIM-1.

### Using the Listing Program

The program as shown in Listing 1 is loaded into the machine in the normal manner. A RUN command is then executed and the program will be POKED in machine format into Tape Buffer 2. The BASIC program to be listed is then loaded into the machine. The LIST-N instruction is then executed to allow the operator to preview the initial lines of code. When the operator is satisfied with the 15 to 18 lines of code to be printed, as displayed on the screen, the command X=USR(R) is entered and the RETURN key is depressed. The USR instruction transfers control to the machine language code located at the address specified by memory locations 1 and 2.

The teletype printer will then print the display on the PET CRT from the beginning of display line 3 to the word READY. The operator then uses the LIST M-X command to preview the next series of lines to be printed. It should be noted that the PET listing format leaves a blank line between the last line number selected and the READY response if the last line requested is not the last line in the program. The preview function allows the operator to block out the lines to be printed regardless of the line numbering technique employed when the program was composed. If the program being listed has an R in column 1 due to a line length in excess of 40 characters, the operator must take some action to remove this condition before executing the listing of that portion of the program.

### Conclusions and Recommendations

The hardware and software illustrated in this article can be used to permit the listing of programs and recording the results of program runs on a conventional TTY unit. In using the program to print the results of computer runs it should be noted that the results should be formatted to begin on the third line of the display. An improved version of this program could be designed to look ahead when an R was discovered to establish if an RE or REA string was present. As only 3 bytes were not used in Tape Buffer 2 in writing this program, that feature could not be included. Additional space could be freed if the program was redesigned to use the parallel to serial conversion facility available with the 6522 VIA output port. Using this facility the 90 bytes required to do the conversion from parallel to serial and timing out this information could be greatly reduced.

### Listing 1.

A listing of the PET Listing Program as printed on the author's TTY unit. The program was hand assembled in 6502 language then converted to decimal format and entered as a series of BASIC "POKE" instructions. When executed the program will reside in Tape Buffer 2 in machine code format.



```

1 REM***TELETYPE LISTING ROUTINE*****
2 REM CHARLES R. HUSBANDS
3 REM
4 REM THIS PROGRAM LISTS THE DATA
5 REM APPEARING ON THE SCREEN IN
6 REM SERIAL TELETYPE FORMAT. THE
7 REM PROGRAM IS STORED IN MACHINE
8 REM CODE IN TAPE BUFFER #2. THE
9 REM PROGRAM IS EXECUTED USING "USR".
10 POKE(01),58
20 POKE(02),03
29 REM..INIT...INITALIZE VARIABLES
30 POKE(826),169
40 POKE(827),00
50 POKE(828),141
60 POKE(829),251
70 POKE(830),03
80 POKE(831),170

88 REM..LOOP1..TEST FIRST CHAR ON EACH
89 REM LINE FOR AN "R".
90 POKE(832),189
100 POKE(833),80
110 POKE(834),128
150 POKE(835),201
160 POKE(836),18
170 POKE(837),240
180 POKE(838),83
189 REM..LOOP3..PRINT CR/LF
190 POKE(839),169
200 POKE(840),13
210 POKE(841),141
220 POKE(842),255
230 POKE(843),03
240 POKE(844),32
250 POKE(845),166
260 POKE(846),03

270 POKE(847),169
280 POKE(848),10
290 POKE(849),141
300 POKE(850),255
310 POKE(851),03
320 POKE(852),32
330 POKE(853),166
340 POKE(854),03
348 REM..LOOP2..EXAMINE AND PRINT THE
349 REM OTHER CHARACTERS ON THE LINE.
350 POKE(855),189
360 POKE(856),80
370 POKE(857),128
380 POKE(858),141
390 POKE(859),252
400 POKE(860),03
410 POKE(861),56
420 POKE(862),233
430 POKE(863),32
440 POKE(864),48
450 POKE(865),12
460 POKE(866),173
470 POKE(867),252
480 POKE(868),03
490 POKE(869),141
500 POKE(870),255
510 POKE(871),03
520 POKE(872),32
530 POKE(873),166

540 POKE(874),03
550 POKE(875),76
560 POKE(876),122
570 POKE(877),03
579 REM..ALPHA..PRINT ALPHABETIC CHAR
580 POKE(878),173
580 POKE(878),173
590 POKE(879),252
600 POKE(880),03
610 POKE(881),24
620 POKE(882),105
630 POKE(883),64
640 POKE(884),141
650 POKE(885),255
660 POKE(886),03
670 POKE(887),32
680 POKE(888),166

690 POKE(889),03
698 REM..CLNUP..COUNT CHARACTERS AND
699 REM TEST FOR END OF LINE.
700 POKE(890),238
710 POKE(891),251
720 POKE(892),03
730 POKE(893),173
740 POKE(894),251
750 POKE(895),03
760 POKE(896),201
770 POKE(897),40
780 POKE(898),240
790 POKE(899),13
800 POKE(900),232
810 POKE(901),138
820 POKE(902),208
830 POKE(903),06
840 POKE(904),238
850 POKE(905),89
860 POKE(906),03
861 POKE(907),238
862 POKE(908),66
863 POKE(909),03
870 POKE(910),76
880 POKE(911),87
890 POKE(912),03
899 REM..NEWL..INITALIZES NEW LINE.
900 POKE(913),169
910 POKE(914),00
911 POKE(915),141
912 POKE(916),251
913 POKE(917),03
914 POKE(918),232

917 POKE(919),76
918 POKE(920),64
919 POKE(921),03
920 REM..FINDR..PROGRAM COMES HERE IF
921 REM AN "R" IS FOUND IN 1ST COLM.
921 POKE(922),169
922 POKE(922),169
923 POKE(923),128
924 POKE(924),141
925 POKE(925),66
926 POKE(926),03
927 POKE(927),141
928 POKE(928),89
929 POKE(929),03
930 POKE(930),96

```

```

949 REM..PRINT..THIS SUBROUTINE PRINTS
950 REM THE CHARACTER IN TTY FORMAT.
960 POKE(934),169
961 POKE(935),255
962 POKE(936),141
963 POKE(937),67
964 POKE(938),232
965 POKE(939),173
966 POKE(940),255
970 POKE(941),03
980 POKE(942),141
990 POKE(943),252
1000 POKE(944),03
1010 POKE(945),142
1020 POKE(946),253
1030 POKE(947),03
1040 POKE(948),32
1050 POKE(949),230
1060 POKE(950),03
1070 POKE(951),169
1080 POKE(952),79
1090 POKE(953),232
1100 POKE(954),41
1110 POKE(955),254
1120 POKE(956),141
1130 POKE(957),79
1140 POKE(958),232
1150 POKE(959),32
1160 POKE(960),230
1170 POKE(961),03
1180 POKE(962),162
1190 POKE(963),08
1199 REM..OUT1
1200 POKE(964),173

```

```

1210 POKE(965),79
1220 POKE(966),232
1230 POKE(967),41
1240 POKE(968),254
1250 POKE(969),78
1260 POKE(970),252
1270 POKE(971),03
1280 POKE(972),105
1290 POKE(973),00
1300 POKE(974),141
1310 POKE(975),79
1320 POKE(976),232
1330 POKE(977),32
1340 POKE(978),230
1350 POKE(979),03

```

```

1360 POKE(980),202
1370 POKE(981),208
1380 POKE(982),237
1390 POKE(983),173
1400 POKE(984),79
1410 POKE(985),232
1420 POKE(986),09
1430 POKE(987),01
1440 POKE(988),141
1450 POKE(989),79
1460 POKE(990),232
1470 POKE(991),32
1480 POKE(992),230
1490 POKE(993),03
1500 POKE(994),174

```

```

1510 POKE(995),253
1520 POKE(996),03
1530 POKE(997),96
1539 REM..DELAY
1540 POKE(998),169
1550 POKE(999),02
1560 POKE(1000),141
1570 POKE(1001),254
1580 POKE(1002),03
1590 POKE(1003),169
1600 POKE(1004),82
1609 REM..DE2
1610 POKE(1005),56
1619 REM..DE4
1620 POKE(1006),233

```

```

1630 POKE(1007),01
1640 POKE(1008),176
1650 POKE(1009),03
1660 POKE(1010),206
1670 POKE(1011),254
1680 POKE(1012),03
1689 REM..DE3
1690 POKE(1013),172
1700 POKE(1014),254
1710 POKE(1015),03
1720 POKE(1016),16
1730 POKE(1017),243
1740 POKE(1018),96
1750 REM..COUNT(1019)
1760 REM..CHAR (1020)
1770 REM..TMPX (1021)
1780 REM..TIMH (1022)
1790 REM..PCHAR(1023)
1800 END

```

LABEL	OP	FIELD	LOC	OP	F1	F2
INIT	LDA	#0	826	169	00	
	STA	COUNT	828	141	251	03
	TAX		831	170		
LOOP1	LDA	32848,X	832	189	80	128
	CMP	#18	835	201	18	
	BEQ	FINDR	837	240	83	
LOOP3	LDA	#OD	839	169	13	
	STA	PCHAR	841	141	255	03
	JSR	PRINT	844	32	166	03
	LDA	#OA	847	169	10	
	STA	PCHAR	849	141	255	03
	JSR	PRINT	852	32	166	03
LOOP2	LDA	32848,X	855	189	80	128
	STA	CHAR	858	141	252	03
	SEC		861	56		
	SBC	#20	862	233	32	
	BMI	ALPHA	864	48	12	
	LDA	CHAR	866	173	252	03
	STA	PCHAR	869	141	255	03
	JSR	PRINT	872	32	166	03
	JMP	CLNUP	875	76	122	03

ALPHA	LDA	CHAR	878	173	252	03
	CLC		881	24		
	ADC	#40	882	105	64	
	STA	PCHAR	884	141	255	03
	JSR	PRINT	887	32	166	03
CLNUP	INC	COUNT	890	238	251	03
	LDA	COUNT	893	171	251	03
	CMP	#28	896	201	40	
	BEQ	NEWL	898	240	13	
	INX		900	232		
	TAX		901	138		
	BNE	NEXTC	902	208	06	
	INC	869	904	238	89	03
	INC	834	907	238	66	03
NEXTC	JMP	LOOP2	910	76	87	03
NEWL	LDA	#0	913	169	00	
	STA	COUNT	915	141	251	03
	INX		918	232		
	JMP	LOOP1	919	76	64	03
C FINDR	LDA	#80	922	169	128	
	STA	834	924	141	66	03
	STA	860	927	141	89	03
	RTS		930	96		
PRINT	LDA	#FF	934	169	255	
	STA	PADD	936	141	67	232
	LDA	PCHAR	939	173	255	03
	STA	CHAR	942	141	252	03
	STX	TMPX	945	142	253	03
	JSR	DELAY	948	32	230	03
	LDA	SAD	951	169	79	232
	AND	#FE	954	41	254	
	STA	SAD	956	141	79	232
	JSR	DELAY	959	32	230	03
	LDX	#08	962	162	08	
OUT1	LDA	SAD	964	173	79	232
	AND	#FE	967	41	254	
	LSR	CHAR	969	78	252	03
	ADC	#00	972	105	00	
	STA	SAD	974	141	79	232
	JSR	DELAY	977	32	230	03
	DEX		980	202		
	BNE	OUT1	981	208	237	
	LDA	SAD	983	173	79	232
	ORA	#01	986	09	01	
	STA	SAD	988	141	79	232
	JSR	DELAY	991	32	230	03
	LDX	TMPX	994	174	253	03
	RTS		997	96		
DELAY	LDA	#02	998	169	02	
	STA	TIMH	1000	141	254	03
	LDA	#52	1003	169	82	
DE2	SEC		1005	56		
DE4	SBC	#01	1006	233	01	
	BCS	DE3	1008	176	03	
	DEC	TIMH	1010	206	254	03
DE3	LDY	TIMH	1013	172	254	03
	BPL	DE2	1016	16	243	
	RTS		1018			

COUNT	(1019)
CHAR	(1020)
TMPX	(1021)
TIMH	(1022)
PCHAR	(1023)

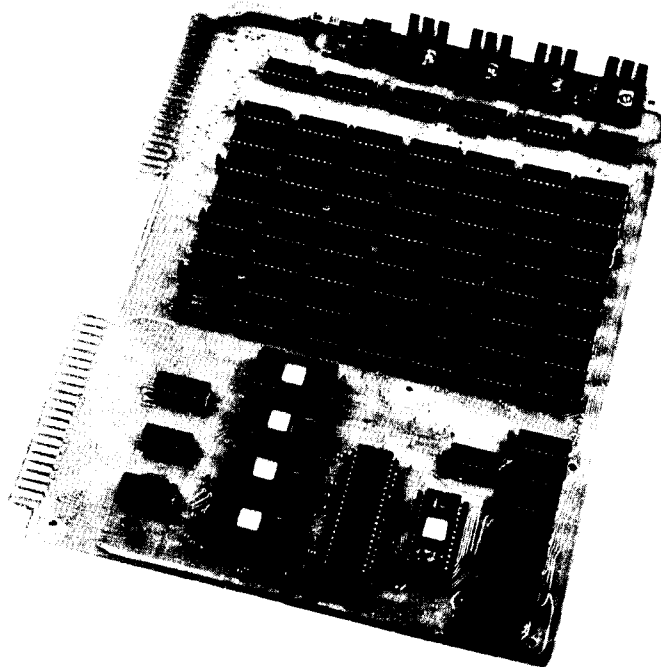
# MEMORY PLUS™

MEMORY PLUS is a KIM-1 shaped and sized board for extending the capabilities of the KIM-1. It contains 8K RAM (low power 2102 static); provision for up to 8K EPROM (Intel type 2716 2K by 8-bit); a Versatile Interface Adapter with two 8-bit I/O ports, two timers, and a serial-to-parallel shift register (MOS Technology 6522); and an on board EPROM Programmer. RAM and ROM are each addressable at any 8K (2K hex) boundary and may both be used simultaneously (this is really a 16K board!).

Other features are: on board regulators for +5V and +25V, EPROM Programming Program and Memory Test Program on cassette tape, all IC chips are socketed, the board is fully assembled and tested. Comes with connectors, mounting hardware, 60 page manual, schematics, etc.

A set of cables is available at no extra charge, if specified when ordering the MEMORY PLUS. One cable goes between the KIM-1/VIM-1/AIM 65 and the MEMORY PLUS expansion connector. The other cable connects to the existing application connector. The easy way to assemble your system.

Although MEMORY PLUS was designed for the KIM-1, it will work equally well with the Synertek VIM-1 and the Rockwell AIM 65. So, when you want to expand one of these systems beyond its 4K RAM capability, and/or want to program some EPROMs to fill the available slots on these new units, MEMORY PLUS is ready.



21L02 Static RAM - Low Power - 450 nsec	\$1.25
2114 Static RAM - Reg Power - 450 nsec	\$7.50
2114L Static RAM - Low Power - 450 nsec	\$8.50
KIM-1 + Enclosure	\$250.00
VIM-1 + 1K Extra RAM - 2K RAM total	\$270.00
MEMORY PLUS - with 8K Low Power RAM	\$245.00
POWER PLUS - for KIM-1 or VIM-1	\$40.00
ENCLOSURE PLUS - for KIM-1 + MEMORY PLUS	\$30.00
PLEASE - Games and Demos for KIM-1	\$15.00
EDITOR - for KIM-1 with TTY and cassettes	\$15.00
MAILING LIST - KIM-1, TTY, and cassettes	\$15.00
INFORMATION RETRIEVAL - KIM-1, TTY, etc.	\$15.00
MICROCHESS - Chess on minimal KIM-1	\$15.00
MICRO-ADE - Assembler/Disassembler/Editor	\$25.00
MICRO-ADE - Complete Source Listings	\$25.00
RELAY KIT - Control two cassettes	\$10.00

All items Stock to two week delivery.

NEW Items to be available soon:

VIDEO PLUS - CRT Controller with 2K Display RAM, UPPER/lower case ASCII, optional 128 character user programmable character set, keyboard interface, light pen interface, programmable display format up to 80 characters by 24 lines. For the KIM-1 or VIM-1 or AIM 65.

PROTO PLUS - Prototyping board for the KIM-1 or VIM-1 or AIM 65. Has fingers for both the expansion and application connectors.

MOTHER PLUS - Compact Mother board which will work with the KIM-1, or VIM-1 or AIM 65.

POWER PLUS 5 - With +5V at 5A and +12/-12 at 1A. Ideal for KIM-1 or VIM-1 with additional memory.

POWER PLUS 24 - With +5V at 5A, +12/-12 at 1A, +24V at 3A. Specifically for the AIM 65 system.

Call or write for details, prices, and delivery.

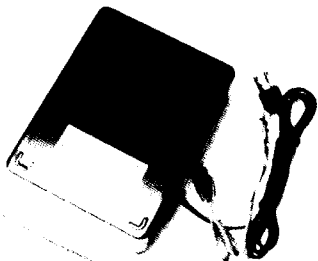
Shipping in USA - up to \$15.00 add \$1.00  
 up to \$50.00 add \$2.00  
 above \$50.00 add \$3.00

Foreign shipping - add 20% up to \$100.00  
 add 10% above \$100.00

Mass Residents - add 5% sales tax.

# POWER PLUS™

POWER PLUS is an assembled and tested power supply that will power a KIM-1 or VIM-1 and a MEMORY PLUS board with power to spare.



## Specifications

Input Voltage: 110 to 125 volts 60 Hz AC.

Output Voltages:

- +5 volts regulated @ 1.4 amps maximum.
- +12 volts regulated @ 1.0 amps maximum.
- +8 volts unregulated @ 4.3 amps maximum.
- +16 volts unregulated @ 1.0 amps maximum.

Packaging: Totally enclosed in a bakelite type box with aluminum bottom plate. Space between the case and bottom plate provides air circulation for cooler operation.

Size and Weight: 6 7/8" x 5 1/4" x 3". 3 lbs.

The COMPUTERIST, Inc.  
 P.O. Box 3, S. Chelmsford, MA 01824  
 617/256-3649

## SHAPING UP YOUR APPLE

Michael Faraday  
246 Bronxville Road  
Bronxville, NY 10708

Even though, as a programming novice, it took me a while to take on Apple II's Hi-Resolution Graphics I have to admit that the seeming complexity of constructing a Shape Table held a certain fascination for me from the first time I opened the Reference Manual. With Gary Dawkin's delightful program appearing in Creative Computing

delightful program appearing in Creative Computing recently there is no longer any real need to apply the original technique, but a good understanding of something never hurt anyone, if only to verify other working arrangements.

If you have a TI Programmer, or any convenient way of converting from one base to another, here's a simplified method of untangling that unsightly jumble of arrows and binary digits on page 53 of the "Big Red Book". The key is in recognizing that the conversion chart is nothing more than an OCTal representation of our 8-bit

A/B	C	OCT	
↑	000	00	0
→	001	01	1
↓	010	10	2
←	011	11	3
↑	100		4
→	101		5
↓	110		6
←	111		7

To the Code list we will add the OCTal number that each arrow represents.

byte. OCTal is binary broken into groups of three just as HEX is binary broken into groups of four. The fog lifts a little and we can now see why the "C" digit is limited to two bits: we only have a total of eight to start with. Looking a little further along the same page we come to the Conversion Codes and it's here we can begin to make things really easy.

C	B	A	C	B	A
0 0	0 1 0	0 1 0			
0 0	1 1 1	1 1 1	←	→	
0 0	1 0 0	0 0 0		↑	↑
0 1	1 0 0	1 0 0	→	↑	↑
0 0	1 0 1	1 0 1		→	→
...	...	...			

To the Code list we will add the OCTal number each arrow represents.

Going back to the original example in the manual we can replace the entire chart of binary digits with an OCTal number put directly above our "unwrapped" arrows, like so:

OCT    2 2 7 7 0 4 4 4 1 5 5 5 2 6 6 6 3 7  
Shape ↓ ↓ ← ← ↑ ↑ ↑ → → → ↓ ↓ ↓ ←

We are going to construct either two- or three-digit numbers from this list and now come the only rules required to deal with in the whole procedure:

1. While always trying to make a three-digit number, the "last" digit of a three-digit group can ONLY be a 1, 2 or 3 (remember that the "C" digit is only 2 binary digits, which can represent the OCTal number three at most).

2. As usual, these numbers appear Least Significant Digit first and therefore the "last" digit is, in reality, the first digit of the new OCTal number.

So we can now divide the long string of numbers into two- and three-digit, reverse-order OCTal numbers with slashes:

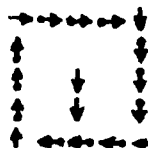
OCTal 2 2/7 7/0 4/4 4 1/5 5/5 2/6 6/6 3/7

"unwrap" this list, reversing digits as we go:

"unwrap" this list, reversing digits as we go, and converting to HEX:

OCT	HEX
22	12
77	3F
40	20
144	64
...	...

Even this can be a bit tedious and since I find the arrow Code conversion very easy to remember - No Plot, Up Clockwise to Left = 0 to 3; Plot, Up Clockwise to Left = 4 to 7 - I draw my diagrams on graph paper using these OCTal numbers only.

Thus,  becomes

1	5	5	5	2
4				6
4	2			6
4	2			6
0	7	7	7	3

Some caveats. It's still a good idea to draft an original diagram with plain dots just to get the shape and scale to your liking. This also becomes a handy guide for the debugging you're almost certain to have to do. And too, it makes great fun for your non-computer friends who might like to play Connect-the-Dots after a couple of beers.

A big problem keeps cropping up using the scale feature. It seems that when blowing up the original drawing the Apple II uses the direction of motion associated with the plotted points as a base reference for the additional points. This often leads to strangely assymetrical pictures in larger scale with "lines" of dots going in unexpected directions. As always, a little playing around can really make you feel good. Have fun.

Hexidecimal - Octal Conversion Table

HEX	0	1	2	3	4	5	6	7	8	9	A	B	C	D	E	F
0	0	1	2	3	4	5	6	7	10	11	12	13	14	15	16	17
1	20	21	22	23	24	25	26	27	30	31	32	33	34	35	36	37
2	40	41	42	43	44	45	46	47	50	51	52	53	54	55	56	57
3	60	61	62	63	64	65	66	67	70	71	72	73	74	75	76	77
4	100	101	102	103	104	105	106	107	110	111	112	113	114	115	116	117
5	120	121	122	123	124	125	126	127	130	131	132	133	134	135	136	137
6	140	141	142	143	144	145	146	147	150	151	152	153	154	155	156	157
7	160	161	162	163	164	165	166	167	170	171	172	173	174	175	176	177
8	200	201	202	203	204	205	206	207	210	211	212	213	214	215	216	217
9	220	221	222	223	224	225	226	227	230	231	232	233	234	235	236	237
A	240	241	242	243	244	245	246	247	250	251	252	253	254	255	256	257
B	260	261	262	263	264	265	266	267	270	271	272	273	274	275	276	277
C	300	301	302	303	304	305	306	307	310	311	312	313	314	315	316	317
D	320	321	322	323	324	325	326	327	330	331	332	333	334	335	336	337
E	340	341	342	343	344	345	346	347	350	351	352	353	354	355	356	357
F	360	361	362	363	364	365	366	367	370	371	372	373	374	375	376	377

6:12

**MICRO**

Let "Apple" take a bite out of your taxes . . . now!

THE

**Tax Store**<sup>TM</sup>

has individual and small business

software programs, developed by tax professionals in line with current tax laws. Helps you develop your own individualized tax plans.

Basic Program Introductions (4K) includes: Tax and bookkeeping software and prices, audit survival quiz, and the Tax Store<sup>TM</sup> concept.

Price \$4.00. Check or money order.

Money Back guarantee, or write for Free brochure.

The Tax Store<sup>TM</sup> Inc.  
7429 Burnet Road, No. 102  
Austin, Texas 78757  
(512) 454-0255

Tax deductible programs ... Write Today  
(Franchises available)

**KIM-1**

**\$219**

**MEMORY PLUS 8K RAM for KIM**

**\$245**

- with 2716 EPROM sockets and programmer
- 6522 VIA (includes 2-8 bit ports and 2 timers)

**SPECIAL** - includes edge connectors and cable for direct KIM connection (\$10 value)

**PROBLEM SOLVER SYSTEMS KM88**

**\$159**

- 8K low power static RAM, completely socketed
- factory assembled and tested
- completely compatible with KIM-4 motherboard

**KIM-4 MOTHERBOARD**

**\$119**

**Power Supply for KIM (KL512)**

**\$34**

+5V, +12V regulated, +8V, +16V unregulated  
plenty of power for KIM-1 and 8K memory

Programming a Microcomputer: 6502

**\$9**

First Book of KIM

**\$9**

**4 part harmony KIM musicboard**

**\$35**

(D to A converter and amplifier)

Write for list of KIM & PET memory & accessories.  
All items postpaid in U.S.

**A B Computers**

P.O. Box 104, Perkasio, PA 18944 (215) 257-8195

**APPLE II STARWARS THEME**

Andrew H. Eliason  
28 Charles Lane  
Falmouth, MA 02540

Just for the fun of it, here are some routines to create something which sounds like the main battle scene from STARWARS. Enjoy!

Apple II Startrek Sounds Routine  
Dis-assembler Listing

\*3FA1L

```

3FA1-  A0 0E          LDY  #00E
3FA3-  A2 00          LDX  #000
3FA5-  9A            TXA
3FA6-  18            CLC
3FA7-  E9 01          SBC  #01
3FA9-  D0 FC          BNE  $3FA7
3FAB-  8D 30 C0       STA  $C030
3FAE-  E8            INX
3FAF-  E0 8C          CPX  #8C
3FB1-  D0 F2          BNE  $3FA5
3FB3-  89            LEY
3FB4-  D0 ED          BNE  $3FA3
3FB6-  60            RTS
3FB7-  00            BRK
3FB8-  00            BRK
3FB9-  00            BRK
3FBA-  00            BRK
3FBB-  00            BRK
3FBC-  00            BRK
3FBD-  00            BRK
    
```

\*

Load via monitor starting at 3FA1:

3FA1.3FB6

```

3FA1-  A0 0E A2 00 8A 18 E9
3FA8-  01 D0 FC 8D 30 C0 E8 E0
3FB0-  8C D0 F2 88 D0 ED 60
    
```

\*  
Enter BASIC and set HIMEM:16288.  
Enter this program and RUN:

LIST

>LIST

```

10 PRINT "STAR BATTLE SOUND EFFECTS"
20 I= RND (15)+1: REM SHOTS
30 J= RND (11)*10+120: REM DURATION
40 POKE 16290,I: POKE 16304,J
50 CALL 16289
60 N= RND (1000): FOR K=1 TO N: NEXT K
70 GOTO 20
999 END
    
```

Try I = RND(30)+1 and J = RND(255).

The above material is based on the "Phaser" sound effect from Apple II Startrek.

6:13

**MICRO**

Add ZIP to your cassette tape I/O with

**Z I P T A P E**

a fast - up to 4800 baud - audio tape recording and recovery system for KIM-1 and other 6502 based systems. It will function at the higher rates on most good quality cassette recorders, and even economy type units should be able to function at 2400 or 3600 baud.

The assembled and tested interface uses a single IC to translate audio input to logic level, buffers and attenuates signals for recording via either an "AUX" or "MIC" input. A 10 ohm load is included for recorder load on playback. Only +5V at less than 10 ma is required for power.

The software uses about 3/4 page each for the Dump and Load programs which may be run as sub-routines. Though written for KIM-1, changes are suggested for use on IIM systems, and only minor modifications should be required to run on any system which has a 6530 or 6522 I/O chip.

One port of the PIA is used for data, one for control of the interface, and a third acts as a buffer to simplify software instructions.

Hardware/Software package is \$22.50 + \$1.00 S&H. Add \$3.00 for KIM cassette containing software. NJ residents add 5% tax. SASE for free info.

LEWIS EDWARDS, Jr.

**Color-Tech TV**

1451 Hamilton Avenue  
Trenton, NJ 08629

**MICRO**

Back Issue of MICRO are Available.

Single copies of issues 1 - 6 are \$1.50 each, including postage in the USA and Canada. Add \$1.25 per copy for overseas Air Mail postage or \$.50 per copy for overseas Surface postage.

Get "All of MICRO - Volume 1"

While the supply lasts, all six issues of MICRO Volume 1 are available as a "press-board" bound set. Now you can get a second set to keep bound while you separate your individual copies into a notebook by categories. Or, get a set for a friend who has just bought, or is thinking about buying, a 6502 based system. Or, how about a set for your computer club, local library or the library where you work. The price for the complete set is \$7.50 including postage in the USA. Postage to all other countries is \$1.00 surface or \$4.00 Air Mail. If you are interested, act now, since we will probably not be reprinting these issues again.

Name: .....

Street: .....

City: .....

State: ..... ZIP .....

Issue Number: 1 2 3 4 5 6

"All of MICRO - Volume 1":

Send Check or Money Order to:

MICRO, P.O. Box 3, S. Chelmsford, MA 01824

# Southern California 6502 Center

## Computer Components of Orange County

6791 Westminster Ave., Westminster, CA 92683 714-898-8330

Hours: Tues-Fri 11:00 AM to 8:00 PM - Sat 10:00 AM to 6:00 PM (Closed Sun, Mon)

## Why Should You Buy From Us?

Because we can help you solve your problems and answer your questions. We don't claim to know everything but we have enough references and contacts in the 6502 field that we can help you answer your questions.

### Sign up for 6502 Information Exchange and Workshops

System	Meetings	Next Meeting
Kim, Vim, Super Kim Commodore PET Apple II	2nd Saturday of Month 3rd Saturday of Month 4th Saturday of Month	Sept. 9 Super Kim Sept. 16 Pet Documentation Sept. 23 New programs and peripherals

## APPLE II we are the Apple Experts

### New Software

- Microproducts Co-resident Assembler \$20.00
- Universal Data Management \$50.00
- Super Othello \$10.00
- Graph Plotter w/axis \$10.00

### Bob Bishops:

- Apple Talker \$10.00
- Color Organ \$10.00
- Dancing Man \$ 5.00
- Space Maze \$10.00

### ■ PROGRAMMABLE PRINTER INTERFACE (\$80.00)

- Onboard EPROM Printer Driver
- Full Handshake Logic
- High Speed Parallel Output Port Capability
- Provision for 256 Byte I/O Drive in EPROM
- Printer. Driver Programs Available for Centronic, SWTPC-40, and Other Printers

### ■ APPLE POWER CONTROL INTERFACE

—This interface plugs into any peripheral slot on the Apple II board and provides 16 channels of control. Power Control modules plug into the interface via a ribbon cable. Each Power Control module provides 4 separate 110V A.C. Circuits at 12 amps. Up to 4 Power Control Modules may be used with each interface.

—Control Room Lights, Stereo Equipment, Security Systems, Electrical Appliances

—Handle Up to 1000 Watts per Channel Directly From Program Control

—Complete Isolation of the Computer From the AC Line

—PRICE—

- Apple Power Interface Board and One Power Control Module (\$95.00)

- Additional Power Control Modules (Controls Four AC Circuits) (\$35.00)

### Memory for Apple II

- Set of 8 16K RAM CHIPS \$200.00
- Set of 8 4K RAM CHIPS \$ 20.00

## We are Orange County's only Authorized Commodore Pet Dealer

- Commodore PET (8K) \$795-
  - Synertek's VIM-I \$269
  - Microproducts New Super Kim 395
  - PET Printer (delivery Sept.) \$595
  - Commodore KIM-I \$245
- (Demonstration at Kim Workshop Sept. 9)

Send for a complete list of software and new product information.

*Mastercharge, Visa, B of A accepted. No C.O.D. Allow two weeks for personal check to clear. Add \$1.50 for handling and postage. For computer system, please add \$10.00 for shipping, handling, and insurance. California residents add 6% sales tax.*



## APPLE PI

Robert J. Bishop  
1143 W. Badillo, Apt E  
Covina, CA 91722

Everyone knows that the value of Pi is about 3.1416. In fact, its value was known this accurately as far back as 150 A.D. But it wasn't until the sixteenth century that Francisco Vieta succeeded in calculating Pi to ten decimal places.

Around the end of the sixteenth century the German mathematician, Ludolph von Ceulen, worked on calculating the value of Pi until he died at the age of 70. His efforts produced Pi to 35 decimal places.

During the next several centuries a great deal of effort was spent in computing the value of Pi to even greater precision. In 1699 Abraham Sharp calculated Pi to 71 decimal places. By the mid 1800's its value was known to several hundred decimal places. Finally, in 1873, an English mathematician, Shanks, determined Pi to 707 decimal places, an accuracy which remained unchallenged for many years.

I was recently rereading my old copy of Kasner & Newman's Mathematics and the Imagination

I was recently rereading my old copy of Kasner & Newman's Mathematics and Imagination (Simon & Schuster, 1940), where I found the series expansion:

$$\pi = \sum_{k=1}^{\infty} \frac{16(-1)^{k+1}}{(2k-1)5^{2k-1}} - \sum_{k=1}^{\infty} \frac{4(-1)^{k+1}}{(2k-1)239^{2k-1}}$$

The book indicated that this series converged rather quickly but "... it would require ten years of calculation to determine Pi to 1000 decimal places." Clearly this statement was made before modern digital computers were available. Since then, Pi has been computed to many thousands of decimal places. But Kasner & Newman's conjecture of a ten-year calculation for Pi aroused my curiosity to see just how long it would take my little Apple-II computer to perform the task.

### Program Description

My program to compute the value of Pi is shown in Figure 1. It was written using the Apple II computer's Integer BASIC and requires a 16K system (2K for the program itself; 12K for data storage). The program is fairly straightforward but a brief discussion may be helpful.

The main calculation loop consists of lines 100 through 300; the results are printed in lines 400 through 600. The second half of the listing contains the multiple precision arithmetic sub-routines. The division, addition, and subtraction routines start at lines 1000, 2000, and 3000, respectively.

In order to use memory more efficiently, PEEK and POKE statements were used for arrays instead of DIM statements. Three such arrays are used by the program: POWER, TERM, and RESULT. Each are up to 4K bytes long and start at the memory locations specified in line 50 of the program.

The three arrays mentioned above each store partial and intermediate results of the calculations. Each byte of an array contains either one or two digits, depending on the value of the variable, TEN. If the number of requested digits for Pi is less than about 200, it is possible to store two digits per byte; otherwise, each byte must contain no more than one digit. (The reason for this distinction occurs in line 1070 where an arithmetic overflow can occur when trying to evaluate higher order terms of the series if too many digits are packed into each byte.)

The program evaluates the series expansion for Pi until the next term of the series results in a value less than the requested precision. Line 1055 computes the variable, ZERO, which can be tested to see if an underflow in precision has occurred. This value is then passed back to the main program where, in line 270, it determines whether or not the next term of the series is needed.

### Results

Figure 2 shows the calculated value of Pi to 1000 decimal places. Running the program to get these results took longer than it did to write the program! (The program ran for almost 40 hours before it spit out the answer.) However it took less than two minutes to produce Pi to 35 decimal places, the same accuracy to which Ludolph von Ceulen spent his whole life striving for!

Since the program is written entirely in BASIC it is understandably slow. By rewriting all or part of it in machine language its performance could be vastly improved. However, I will leave this implementation as an exercise for anyone who is interested in pursuing it.

Figure 1.

### Program Listing

```
>LIST
0 REM *** APPLE-PI ***
  WRITTEN BY: BOB BISHOP
5 CALL -936: VTAB 10: TAB 5: PRINT
  "HOW MANY DIGITS DO YOU WANT"
;
10 INPUT SIZE
15 CALL -936
20 TEN=10: IF SIZE>200 THEN 50

30 TEN=100: SIZE=(SIZE+1)/2
50 POWER=4096: TERM=8192: RESULT=
  12288
60 DIV=1000: ADD=2000: SUB=3000:
  INIT=4000: COPY=5000
70 DIM CONSTANT(2): CONSTANT(1)
  =25: CONSTANT(2)=239
```

```

100 REM MAIN LOOP
125 FOR PASS=1 TO 2
150 GOSUB INIT
200 GOSUB COPY
210 POINT=TERM: DIVIDE=EXP: GOSUB
  DIV
220 IF SIGN<0 THEN GOSUB ADD
230 IF SIGN<0 THEN GOSUB SUB
240 EXP=EXP+2: SIGN=-SIGN
250 POINT=POWER: DIVIDE=CONSTANT(
  PASS): GOSUB DIV
260 IF PASS=2 THEN GOSUB DIV
270 IF ZERO<0 THEN 200
300 NEXT PASS
400 REM PRINT THE RESULT
500 PRINT : PRINT
510 PRINT "THE VALUE OF PI TO "
  ; (TEN/100+1)*SIZE: " DECIMAL PLAC
  ES: " : PRINT
520 PRINT PEEK (RESULT); ". ";
530 FOR PLACE=RESULT+1 TO RESULT+
  SIZE
540 IF TEN=10 THEN 570
560 IF PEEK (PLACE)<10 THEN PRINT
  "0";
570 PRINT PEEK (PLACE);
580 NEXT PLACE
590 PRINT
600 END
1000 REM DIVISION SUBROUTINE
1010 DIGIT=0: ZERO=0
1020 FOR PLACE=POINT TO POINT+SIZE
1030 DIGIT=DIGIT+ PEEK (PLACE)
1040 QUOTIENT=DIGIT/DIVIDE
1050 RESIDUE=DIGIT MOD DIVIDE
1055 ZERO=ZERO OR (QUOTIENT+RESIDUE)
1060 POKE PLACE, QUOTIENT
1070 DIGIT=TEN*RESIDUE
1080 NEXT PLACE
1090 RETURN
2000 REM ADDITION SUBROUTINE
2010 CARRY=0
2020 FOR PLACE=SIZE TO 0 STEP -1
2030 SUM= PEEK (RESULT+PLACE)+ PEEK
  (TERM+PLACE)+CARRY
2040 CARRY=0
2050 IF SUM<TEN THEN 2080
2060 SUM=SUM-TEN
2070 CARRY=1
2080 POKE RESULT+PLACE, SUM
2090 NEXT PLACE
2100 RETURN
3000 REM SUBTRACTION SUBROUTINE
3010 LOAN=0
3020 FOR PLACE=SIZE TO 0 STEP -1

```

```

3030 DIFFERENCE= PEEK (RESULT+PLACE)
  - PEEK (TERM+PLACE)-LOAN
3040 LOAN=0
3050 IF DIFFERENCE<0 THEN 3080
3060 DIFFERENCE=DIFFERENCE+TEN
3070 LOAN=1
3080 POKE RESULT+PLACE, DIFFERENCE
3090 NEXT PLACE
3100 RETURN
4000 REM INITIALIZE REGISTERS
4010 FOR PLACE=0 TO SIZE
4020 POKE POWER+PLACE, 0
4030 POKE TERM+PLACE, 0
4040 IF PASS=1 THEN POKE RESULT+
  PLACE, 0
4050 NEXT PLACE
4060 POKE POWER, 16/PASS + 2
4070 IF PASS=1 THEN DIVIDE=5
4080 IF PASS=2 THEN DIVIDE=239
4090 POINT=POWER: GOSUB DIV
4100 EXP=1: SIGN=3-2*PASS
4110 RETURN
5000 REM COPY "POWER" INTO "TERM"
5010 FOR PLACE=0 TO SIZE
5020 POKE TERM+PLACE, PEEK (POWER+
  PLACE)
5030 NEXT PLACE
5040 RETURN

```

THE VALUE OF PI TO 1000 DECIMAL PLACES:

3. 14159265358979323846264338327950288419  
7169399375105820974944592307816406286208  
9906280348253421170679821480865132823066  
4709304460955058223172535940812848111745  
0284102701938521105559644622948954930381  
9644288109756659334461284756482337867831  
6527120190914564856692346034861045432664  
8213393607260249141273724587006606315588  
1748815209209628292540917153643678925903  
6001133053054882046652138414695194151160  
9433057270365759591953092186117381932611  
7931051185480744623799627495673518857527  
2489122793818301194912983367336244065664  
3006021394946395224737190702179866943702  
7705392171762931767523846748184676694051  
3200056812714526356002778577134275778960  
9173637178721468440901224953430146549585  
3710507922796892589235420199561121290219  
6006403441815981362977477130996051870721  
1349999998372978049951059731732816096318  
5950244594553469083026425223082533446850  
3526193118817101000313783875288658753320  
8381420617177669147303598253490428755468  
7311595628638823537875937519577818577805  
3217122680661300192787661111590921642019  
96

Figure 2.

Pi to 1000 Decimal Places



## A SIMPLE 6502 ASSEMBLER FOR THE PET

Michael J. McCann  
28 Ravenswood Terrace  
Cheektowaga, NY 14225

Most computer hobbyists do all or most of their programming in BASIC. This is unfortunate since there is much to be gained from machine code level programming. On the average, machine language programs are 100 times faster than their BASIC equivalents. In addition, machine language programs are very compact, making efficient use of memory. I have written a simple 6502 assembler in Commodore BASIC (see listing) with the following functions:

1. Input source code and assemble
2. Save object code on tape
3. Load object code from tape
4. Run machine language program with SYS
5. Run machine language program with USR
6. List machine language program

### INPUT SOURCE CODE AND ASSEMBLE

- Symbolic addresses and operands are not permitted
- All addresses and operands must be supplied in base 10
- Each line of source code is assembled after entry
- Source code is inputted in the following format:  
(mnemonic)(one or more spaces)(operand)
- Three pseudoinstructions are supported  
ORG-Start with this address  
NOTE:if the user does not specify the origin, it will be set at 826 base 10  
DC-Define constant, place the operand value in the next location in memory  
END-End of program source code

### SAVE OBJECT CODE ON TAPE

- Object code saved under file name supplied by user
- Origin address saved with program

### LOAD OBJECT CODE FROM TAPE

- Loads object program under file name supplied by user
- Object code is stored in memory with the same origin address used when the program was assembled

### RUN MACHINE LANGUAGE PROGRAM WITH SYS

- Transfers control of the 6502 to an address supplied by the user

### RUN MACHINE LANGUAGE PROGRAM WITH USR

- Transfers a user supplied value to the 6502 accumulator
- Transfers control of the 6502 to an address supplied by the user

### LIST MACHINE LANGUAGE PROGRAM

- Listing is produced by disassembling object code
- Disassembly is in the following format:  
(decimal address)(hexadecimal address)(byte#1)  
(byte#2)(byte#3)(mnemonic)(operand)

The following areas of memory are available for your machine language programs when this assembler is in memory: locations 7884-8184 and, if tape #2 is not used, locations 826-1024.

There are two ways of returning control to BASIC from machine language. The RTS (Return from Subroutine) instruction may be used at any time except when in a user machine language subroutine. RTS returns control to the calling BASIC program. In contrast the BRK (Force Break) instruction does not return control to the calling BASIC program; instead control is returned to the user, i.e. system prints READY with the cursor.

I have included a short machine language program. When run this program will leave a pattern of small white dots on the upper half of PET's CRT.

### SAMPLE MACHINE LANGUAGE PROGRAM LISTING

826	033A	A9 66	LDAIM	102
828	033C	A2 00	LDXIM	0
830	033E	9D 00 80	STAX	32768
833	0341	E8	INX	
834	0342	F0 03	BEQ	3
836	0344	4C 3E 03	JMP	830
839	0347	EA	NOP	
840	0348	EA	NOP	
841	0349	9D 00 81	STAX	33024
844	034C	E8	INX	
845	034D	F0 03	BEQ	3
847	034F	4C 49 03	JMP	841
850	0352	00	BRK	

### SAMPLE MACHINE LANGUAGE PROGRAM AS INPUTTED FROM THE KEYBOARD

```
? ORG 826
? LDAIM 102
? LDXIM 0
? STAX 32768
? INX
? BEQ 3
? JMP 830
? NOP
? NOP
? STAX 33024
? INX
? BEQ 3
? JMP 841
? BRK
? END
```

```

1 REM 6502 ASSEMBLER PROGRAM
2 REM BY MICHAEL J. MCCANN
3 REM FOR USE ON THE COMMODORE PET
10 DIM MN$(256),BY%(256),CO$(16)
20 FOR E=0 TO 255
30 READ MN$(E),BY%(E)
40 NEXT
60 FOR E=0 TO 15
70 READ CO$(E)
80 NEXT
90 PRINT CHR$(147):PRINT
100 PRINT"1-INPUT SOURCE CODE AND ASSEMBLE":PRINT
110 PRINT"2-SAVE OBJECT CODE ON TAPE":PRINT
120 PRINT"3-LOAD OBJECT CODE FROM TAPE":PRINT
130 PRINT"4-RUN MACHINE LANGUAGE PROGRAM WITH SYS"
140 PRINT"5-RUN MACHINE LANGUAGE PROGRAM WITH USR"
150 PRINT"6-LIST MACHINE LANGUAGE PROGRAM"
180 GET A$:IF A$="" GOTO 180
190 IF VAL(A$)=0 OR VAL(A$)>6 GOTO 180
200 ON VAL(A$) GOSUB 14000,20000,9000,10000,11000,2900
210 GOTO 90
1000 SX=INT(DC/16)
1010 UN=DC-(SX*16)
1020 SX$=CO$(SX)
1030 UN$=CO$(UN)
1040 HX$+SX$+UN$
1050 RETURN
2900 PRINT CHR$(147)
2910 INPUT"START ADDRESS";AD:I=0
3000 IF I=24 GOTO 5050
3001 I=I+1
3005 IB=PEEK(AD)
3015 IF MN$(IB)<>"NULL" GOTO 3050
3025 DC=IB:GOSUB 1000:GOSUB 13000
3030 PRINT AD;AD$ TAB(12) HX$ "*"
3040 AD=AD+1:GOTO 3000
3050 ON BY%(IB) GOTO 3060,3090,4050
3060 DC=IB:GOSUB 1000:GOSUB 13000
3070 PRINT AD;AD$ TAB(12);HX$;TAB(21);MN$(IB)
3075 AD=AD+1
3080 GOTO 5030
3090 DC=IB:GOSUB 1000
4000 B1$=HX$
4010 DC=PEEK(AD+1):GOSUB 1000
4011 B2$=HX$
4024 GOSUB 13000:P=DC
4030 PRINT AD;AD$ TAB(12);B1$;" ";B2$;TAB(21);MN$(1B);TAB(27);P
4035 AD=AD+2
4040 GOTO 5030
4050 DC=IB:GOSUB 1000
4060 B1$=HX$
4070 DC=PEEK(AD+1):GOSUB 1000
4080 B2$=HX$
4090 DC=PEEK(AD+2):GOSUB 1000

```

```

5000 B3$=HX$
5010 OP=PEEK(AD+1)+(PEEK(AD+2)*256)
5011 GOSUB 13000
5020 PRINT AD;AD$ TAB(12);B1$;" ";B2$;" ";B3$;TAB(21);MN$(IB);TAB(27) OP
5025 AD=AD+3
5030 GOTO 3000
5050 GET A$:IF A$="" GOTO 5050
5051 IF A$=CHR$(19) THEN I=0:RETURN\
5052 IF A$<>CHR$(13) GOTO 5050
5070 I=0:PRINT CHR$(147)
5080 GOTO 3000
6000 DATA BRK,1,ORAIX,2,NULL,0,NULL,0,NULL,0,ORAZ,2,ASL,2,NULL,0,PHP,1
6010 DATA ORAIM,2,ASLA,1,NULL,0,NULL,0,ORA,3,ASL,3,NULL,0,BPL,2,ORAIY,2
6020 DATA NULL,0,NULL,0,NULL,0,ORAZX,2,ASLZX,2,NULL,0,CLC,1,ORAY,3
6030 DATA NULL,0,NULL,0,NULL,0,ORAX,3,ASLX,3,NULL,0,JSR,3,ANDIX,2,NULL,0
6040 DATA NULL,0,BITZ,2,ANDZ,2,ROLZ,2,NULL,0,PLP,1,ANDIM,2,ROLA,1,NULL,0
6050 DATA BIT,3,AND,3,ROL,3,NULL,0,BMI,2,ANDIY,2,NULL,0,NULL,0,NULL,0
6060 DATA ANDZX,2,ROLZX,2,NULL,0,SEC,1,ANDY,3,NULL,0,NULL,0,ANDX,3
6070 DATA ROLX,3,NULL,0,RTI,1,EORIX,2,NULL,0,NULL,0,NULL,0,EORZ,2,LSRZ,2
6080 DATA NULL,0,PHA,1,EORIM,2,LSRA,1,NULL,0,JMP,3,EOR,3,LSR,3,NULL,0
6090 DATA BVC,2,EORIY,2,NULL,0,NULL,0,NULL,0,EORZX,2,LSRZX,2,NULL,0
6100 DATA CLC,1,EORY,3,NULL,0,NULL,0,NULL,0,EORX,3,LSRX,3,NULL,0,RTS,1
6110 DATA ADCIX,2,NULL,0,NULL,0,NULL,0,ADCZ,2,RORZ,2,NULL,0,PLA,1,ADCIM,2
6120 DATA RORA,1,NULL,0,JMI,3,ADC,3,ROR,3,NULL,0,BVS,2,ADCIY,2,NULL,0
6130 DATA NULL,0,NULL,0,ADCZX,2,RORZX,2,NULL,0,SEI,1,ADCY,3,NULL,0,NULL,0
6140 DATA NULL,0,ADCX,3,RORX,3,NULL,0,NULL,0,STAIX,2,NULL,0,NULL,0,STYZ,2
6150 DATA STAZ,2,STXZ,2,NULL,0,DEY,1,NULL,0,TXA,1,NULL,0,STY,3,STA,3
6160 DATA STX,3,NULL,0,BCC,2,STAIY,2,NULL,0,NULL,0,STYZX,2,STAZX,2,STXZY,2
6170 DATA NULL,0,TYA,1,STAY,3,TXS,1,NULL,0,NULL,0,STAX,3,NULL,0,NULL,0
6180 DATA LDYIM,2,LDAIX,2,LDXIM,2,NULL,0,LDYZ,2,LDAZ,2,LDXZ,2,NULL,0
6190 DATA TAY,1,LDAIM,2,TAX,1,NULL,0,LDY,3,LDA,3,LDX,3,NULL,0,BCS,2
6200 DATA LDAIY,2,NULL,0,NULL,0,LDYZX,2,LDAZX,2,LDXZY,2,NULL,0,CLV,1
6210 DATA LDAY,3,TSX,1,NULL,0,LDYX,3,LDAX,3,LDXY,3,NULL,0,CPYIM,2,CPPIX,2
6220 DATA NULL,0,NULL,0,CPYZ,2,CMPZ,2,DECZ,2,NULL,0,INY,1,CMPIM,2,DEX,1
6230 DATA NULL,0,CPY,3,CMP,3,DEC,3,NULL,0,BNE,2,CMPIY,2,NULL,0,NULL,0
6240 DATA NULL,0,CMPZX,2,DECZX,2,NULL,0,CLD,1,CMPY,3,NULL,0,NULL,0,NULL,0
6250 DATA CMPX,3,DECX,3,NULL,0,CPXIM,2,SBCIX,2,NULL,0,NULL,0,CPX,2,SBCZ,2
6260 DATA INCZ,2,NULL,0,INX,1,SBCIM,2,NOP,1,NULL,0,CPX,3,SBC,3,INC,3
6270 DATA NULL,0,BEQ,2,SBCIY,2,NULL,0,NULL,0,NULL,0,SBCZX,2,INCZX,2,NULL,0,SED,1
6280 DATA SBCY,3,NULL,0,NULL,0,NULL,0,SBCX,3,INCX,3,NULL,0
6290 DATA 0,1,2,3,4,5,6,7,8,9,A,B,C,D,E,F
9000 PRINT CHR$(147)
9010 INPUT "ENTER FILE NAME";N$
9020 OPEN 1,1,0,N$
9030 INPUT#1,ZZ
9040 INPUT#1,EN
9050 FOR AD=ZZ TO EN
9060 INPUT#1,DA%
9070 POKE AD,DA%
9080 NEXT
9090 CLOSE 1
9100 RETURN

```

```

10000 PRINT CHR$(147)
10010 INPUT "ENTER ADDRESS IN BASE 10";AD
10015 IF AD>65535 GOTO 10000
10020 SYS(AD)
10030 RETURN
11000 PRINT CHR$(147)
11010 INPUT"ENTER ACCUMULATOR VALUE";AC
11015 IF AC<0 OR AC>255 GOTO 11010
11020 INPUT"ENTER ADDRESS IN BASE 10";AD
11030 POKE 2,INT(AD/256)
11040 POKE 1,AD-(INT(AD/256)*256)
11050 X=USR(AC)
11060 RETURN
13000 A=AD:S3=INT(AD/4096)
13002 A=A-S3*4096
13010 S2=INT(A/256)
13012 A=A-S2*256
13020 S=INT(A/16)
13060 U=AD-(S3*4096+S2*256+S*16)
13070 S3$=CO$(S3)
13080 S2$=CO$(S2)
13090 S$=CO$(S)
13100 U$=CO$(U)
13110 AD$=S3$+S2$+S$+U$
13120 RETURN
14000 PRINT CHR$(147):AD=826:ZZ=826
14010 PRINT "(MNEMONIC)(SPACE)(OPERAND)"
14020 GOSUB 15000
14030 F=0
14040 FOR E=0 TO 255
14050 IF MN$=MN$(E) THEN BY=BY%(E):F=1:CD=E:E=256
14060 NEXT
14070 IF F=0 GOTO 14260
14080 ON BY GOSUB 14100,14130,14180
14090 GOTO 14020
14100 POKE AD,CD
14110 AD=AD+1
14120 RETURN
14130 IF OP>255 OR OP<0 THEN PRINT "ERROR":RETURN
14140 POKE AD,CD
14150 POKE AD+1,OP
14160 AD=AD+2
14170 RETURN
14180 IF OP>65535 OR OP<0 THEN PRINT "ERROR":RETURN
14190 POKE AD,CD
14200 B2=INT(OP/256)
14210 B1=OP-(B2*256)
14220 POKE AD+1,B1
14230 POKE AD+2,B2
14240 AD=AD+3
14250 RETURN
14260 IF MN$="ORG" OR MN$="END" OR MN$="DC" GOTO 14280
14270 PRINT "ERROR":GOTO 14020
14280 IF MN$="ORG" GOTO 14300
14290 GOTO 14340
14300 IF FO=1 THEN PRINT "ERROR":GOTO 14020
14310 FO=1
14320 AD=OP:ZZ=OP
14330 GOTO 14020

```

```

14340 IF MN$="END" GOTO 14360
14350 GOTO 14380
14360 EN=AD-1
14370 RETURN
14480 POKE AD,OP
14510 AD=AD+1
14520 GOTO 14020
15000 INPUT A$
15010 IF LEN(A$)<3 THEN PRINT "ERROR":GOTO 15000
15020 IF LEN(A$)=3 THEN MN$ A$:OP=0:RETURN
15030 S=0:FOR M=1 TO LEN(A$)
15040 IF MID$(A$,M,1)=" " THEN S=M:M=LEN(A$)
15050 NEXT
15060 IF S=0 THEN MN$=A$:RETURN
15070 MN$=LEFT$(A$,S-1)
15080 OP=VAL(RIGHT$(A$,LEN(A$)-S))
15090 RETURN
20000 PRINT CHR$(147):SZ=0
20010 INPUT "ENTER PROGRAM NAME";N$
20020 OPEN 1,1,1,N$
20030 PRINT#1,ZZ:DA%=ZZ:GOSUB 20110
20040 PRINT#1,EN:DA%=EN:GOSUB 20110
20050 FOR AD=ZZ TO EN
20060 DA%=PEEK(AD)
20070 PRINT#1,DA%:GOSUB 20110
20080 NEXT
20090 CLOSE 1
20100 RETURN
20110 SZ=LEN(STR$(DA%))+SZ+1
20120 IF SZ<192 THEN RETURN
20130 POKE 59411,53
20140 T=TI
20150 IF (TI-T)<6 GOTO 20150
20160 POKE 59411,61
20170 SZ=SZ-191
20180 RETURN

```

6:21

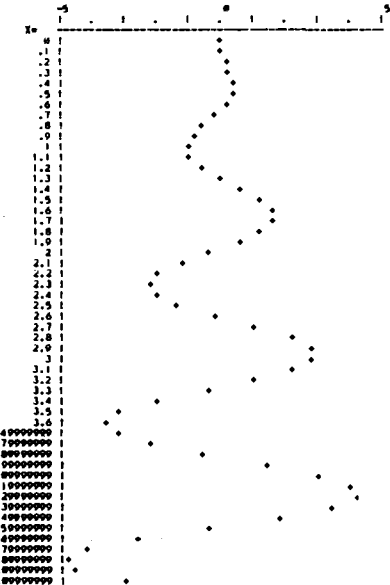
**MICRO**

## **MICRO - PSYCH**

A bimonthly newsletter for those interested in sharing ideas and experiences about the use of micros and minis in psychiatry and psychology. Communications network, info about hardware, software, research, book reviews, etc. \$10/year to MICRO-PSYCH, 26 Trumbull Street, New Haven, CT 06511.

```

TRENDACK Sales - Carburators - 1977
T 201 # TYPE C
M # TYPE B
D # TYPE B
S # TYPE A
A 15: X TYPE A
I OPEN 6,0;CND 6;LIST
10 REN ARCSIN AND ARCCOS FUNCTIONS FOR THE COMMODORE PET.
70 REN "Listed on a GE TermiNet Job
80 REN "using a CmC ADA 1200.
90 REN
100 REN OPEN OUTPUT FILE ON DEVICE 00.
110 OPEN 5,0
120 REN
500 REN GET A SINE VALUE
510 INPUT 5
520 C=5
530 REN
1000 REN THE SINE OF THE ANGLE IS 5
1010 REN IF THE SINE IS IN THE RANGE OF -1 TO 1, THEN COMPUTE.
1020 IF S<=1 AND S>=-1 GOTO 1050
1030 AS=0;GOTO 2000
1040 REN THE ARCSINE IS AS
1050 AS=ATN(S)/((1-S^2)^(.5))
1060 REN THE RESULT IS IN RADIANS. CONVERT TO DEGREES.
1070 AS=AS*180/
2000 REN THE COSINE OF THE ANGLE IS C
2010 REN IF THE COSINE IS IN THE RANGE OF -1 TO 1,
2011 REN AND NOT = TO 0, THEN COMPUTE
2020 IF C<=1 THEN 2040
2030 AC=0;GOTO 3000
2040 IF C<1 AND C>=-1 THEN 2070
2050 AC=0;GOTO 3000
2060 REN THE ARCCOS IS AC
2070 AC=ATN((1-C^2)^(.5)/C)
2080 REN THE RESULT IS IN RADIANS. CONVERT TO DEGREES.
2090 AC=AC*180/
3000 PRINT#5," SINE,COS ARCSIN ARCCOS"
3010 PRINT#5,51
3020 FOR N=1 TO 13:LEH STR$(S);PRINT#5," " ;NEXT
3030 PRINT#5,51
3040 FOR N=1 TO 13:LEH STR$(AS);PRINT#5," " ;NEXT
3050 PRINT#5,AC
3100 GOTO 500
READY.
    
```



RS-232 PRINTER ADAPTER FOR THE COMMODORE PET

The CONNECTICUT microCOMPUTER ADAPTER model 1200 is the first in a line of peripheral adapters for the COMMODORE PET. The CmC ADA 1200 drives an RS-232 printer from the PET IEEE-488 bus. The CmC ADA 1200 allows the PET owner to obtain hard copy program listings, and to type letters, manuscripts, mailing labels, tables of data, pictures, invoices, graphs, checks, needlepoint patterns, etc., using a standard RS-232 printer. The CmC ADA model 1200B comes assembled and tested, without power supplies, case, or RS-232 connector for \$98.50. The CmC ADA 1200C comes complete for \$169.00. Specify baud rate when ordering. (300 baud is supplied unless otherwise requested. Instructions for changing the baud rate are included.)

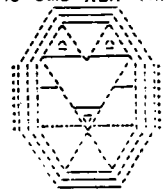
WORD PROCESSOR FOR THE COMMODORE PET

CONNECTICUT microCOMPUTER now has a word processor program for the COMMODORE PET. This program permits composing and printing letters, flyers, advertisements, manuscripts, articles, etc., using the COMMODORE PET and an RS-232 printer. Script directives include line length, left margin, centering, and skip. Edit commands allow the user to insert lines, delete lines, move lines, change strings, save onto cassette, load from cassette, move up, move down, print and type. The CmC Word Processor Program addresses an RS-232 printer through a CmC printer adapter. The CmC Word Processor Program is available for \$29.50.

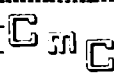


RS-232 TO CURRENT LOOP/TTL ADAPTER

The CmC Adapter model 400 has two circuits. The first converts an RS-232 signal to a 20 ma current loop signal, and the second converts a 20 ma current loop signal to an RS-232 signal. With this device a computer's teletype port can be used to drive an RS-232 terminal, or vice versa, without modification of the port. The CmC ADA 400 can also be paralleled to drive a teletype or RS-232 printer while still using the computer's regular terminal. The CmC ADA 400 can easily be modified to become an RS-232 to TTL and TTL to RS-232 Adapter. The CmC ADA 400 does not alter the baud rate and uses standard power supplies. The current loop is isolated from the RS-232 signal by optoisolators. The CmC ADA 400 is the perfect partner for KIM if you want to use an RS-232 terminal instead of a current loop teletype. The CmC ADA 400S comes with drilled, plated through solder pads and sells for \$24.50. The CmC ADA 400B comes with barrier strips and screw terminals and sells for \$29.50.



This announcement was composed on a COMMODORE PET and printed on a GE TermiNet using a CmC ADA 1200C printer adapter and the CmC Word Processor Program.

Qty	Description	baud rate	price	total	Mail with remittance or charge information to:
1	CmC ADA 1200B (basic)		199.50		 <b>CONNECTICUT microCOMPUTER</b> 150 Pocono Road, Room 8 Brookfield, Conn. 06804
1	CmC ADA 1200C (complete)		169.00		
1	CmC Word Processor Program (cassette)		29.50		
1	CmC ADA 400S (solder pads)		24.50	NAME	
1	CmC ADA 400B (barrier strips)		29.50	COMPANY	
Subtotal				ADDRESS	
Connecticut residents add 7% sales tax					
Handling and shipping - add per order			13.00	CITY	
Foreign air mail - add 15.00 per order				STATE	ZIP
Total included with order					
CHARGE TO: VISA    *MASTER CHARGE    M/C INTERBANK NUMBER    Expiration date					
Credit card number					
SIGNATURE					



THE MICRO SOFTWARE CATALOG: III

Mike Rowe  
P.O. Box 3  
S. Chelmsford, MA 01824

Name: LABELER  
System: TIM based or any 6502 based system  
Memory: 1K  
Language: Assembly  
Hardware: Paper Tape Punch on TTY  
Description: This program punches legible characters on a paper tape and is useful for the labeling of punched paper tapes. A 64 character sub-set of ASCII is used. There is limited editing capability on the data. There are a number of options for character size, starting address and TIM or I/O independent code.  
Copies: Not Specified  
Price: \$4.00  
Includes: Commented source listing, operating and modifying instructions, and a hex tape.  
Ordering Info: Specify the following:  
Char Size 5x5 or 5x8  
Starting address 0200 or 1000  
System TIM or I/O Independent  
Author: Gil House  
Available from:  
Gil House  
P.O. Box 158  
Clarksburg, MD 20734

Name: HUEY  
System: Any 6502 based system.  
Memory: 2.5K  
Language: Assembly  
Hardware: ASCII I/O device.  
Description: HUEY-65 is a scientific calculator program for the 6502 microprocessors. It operates from your ASCII keyboard like a calculator; will output through your routines to a TV screen or Teletype; is preprogrammed to do trig functions, natural and common logs, exponential functions and other goodies; and is programmable for many other functions (financial, accounting, mathematics, engineering, etc.) you would like to call at the press of a single key.  
Copies: Not Specified.  
Price: Hex Dump at any even page - \$5.00  
Manual and Listings - \$20.00  
Ordering Info: Specify starting address.  
Author: Don Rindsberg  
Available from:  
The BIT Stop  
P.O. Box 973  
Mobile, AL 36601

Name: Word Processor Program  
System: PET  
Memory: Not Specified.  
Language: Not Specified.  
Hardware: RS-232 printer addressed via a CmC printer adapter.  
Description: This program permits composing and printing letters, flyers, advertisements, manuscripts, articles, etc., using the Commodore PET and an RS-232 printer. Script directives include line length, left margin, centering, and skip. Edit commands allow the user to insert lines, delete lines, move lines, change strings, save onto cassette, load from cassette, move up, move down, print and type.  
Copies: Not Specified.  
Price: \$29.50  
Ordering Info: None.  
Author(s): Not Specified.  
Available from:  
Connecticut microComputer  
150 Pocono Road  
Brookfield, CT 06804

Name: ZIP TAPE  
System: KIM-1, may be easily modified for any other 6502 system with programmable timer I/O  
Memory: 3/4 page each for read and write progs.  
Hardware: Simple single IC audio to logic level converter and output buffer/attenuator on 2" sq. board. Directional control, 4 connections to computer.  
Description: A fast audio cassette data recording and recovery system. Programmable to 4800 baud. Loads 8K in less than 15 seconds. Follows KIM-1 protocol of open ended record length with start address, end address, and record ID specified at usual KIM locations. Load by ID, ignore ID, and relocate modes. Data recorded in binary form with 2 byte checksum error detection. Easily relocated, can either stand alone or be used as subroutines. Requires programmable timer I/O.  
Copies: About 12, just introduced.  
Price: \$22.50 +1.00 ship & hand. \$3.00 extra for KIM cassette.  
Includes: Assembled and tested interface, commented listings, suggested changes to run on TIM and other systems. Cassette has software recorded at HYPERTAPE and standard KIM speeds plus 8K test recording using ZIP TAPE.  
Ordering Info: With or Without tape.  
Author: Lewis Edwards, Jr.  
Available from:  
Lewis Edwards  
1451 Hamilton Avenue  
Trenton, NJ 08629

Name: FOCAL\* (\*DEC Trademark)  
System: Apple II  
Memory: Not Specified.  
Language: Assembler  
Hardware: Apple II  
Description: This is an extended version of the high-level language called FOCAL. FOCAL was created for the DEC PDP-8. It is similar to BASIC. FCL65E, as this version is called, is now available for the Apple II.  
Copies: Not Specified.  
Price: Apple II format cassette - \$25.00  
Mini-Manual - \$6.00  
FCL65E User's Manual - \$12.00  
Complete Source Listing - \$35.00  
Ordering Info: Specify parts desired.  
Author(s): Not Specified.  
Available from:  
The 6502 Program Exchange  
2920 Moana  
Reno, NV 89509

Name: WARLORDS  
System: Apple II (PET version under devel.)  
Memory: Not Specified  
Language: Not Specified  
Hardware: Apple II  
Description: It is the Dark Ages, in the kingdom of Nerd, and all is chaos. King Melvin has died without an heir and a dire power struggle is taking place to see who will emerge as the new King. You and the other players are the WARLORDS, and you will have to decide what combination of military might and skillful diplomacy will lead you to victory.  
Copies: Not Specified  
Price: \$12.00  
Ordering Info: Specify Apple II Version  
Author: Not Specified  
Available from:  
Dealers who carry software from  
Speakeasy Software LTD.

## THE MICRO SOFTWARE CATALOG

Names: E/65 and A/65  
System: Any 6502 based system  
Memory: Not Specified  
Language: Assembly  
Hardware: Terminal. Cassette optional.  
Description: E/65 is primarily designed to edit assembler source code. Line oriented commands specify input/out or text and find specific lines to be edited. String oriented commands allow the user to search for and optionally change a text string. Also character oriented commands and loading and dumping to bulk device. A/65 is a full two-pass assembler which conforms to MOS Technology syntax. A full range of run-time options are provided to control listing formats, printing of generated code for ASCII strings and generation of object code.  
Copies: Not Specified  
Price: \$100 each  
Includes: Object form on paper tape or KIM type cassette. Listings of source code are available for \$25.00 each. Full documentation on the installation and use of each package is provided.  
Author: Not Specified  
Available from:  
COMPAS - Computer Applications Corporation  
P.O. Box 687  
Ames, IA 50010

Name: Read/Write PET Memory  
System: PET  
Memory: 8K RAM  
Language: BASIC  
Hardware: Standard PET  
Description: Permits user to key into memory hex codes by typing hex starting address and then typing the hex digits in sequence desired. Display memory as both hex codes and assembly language mnemonics (translates relative address into actual hex address). Stores memory on tape and loads memory from tape into any desired memory location. Executes machine-language programs.  
Copies: Just released - 32 sold first day.  
Price: \$7.95 - postpaid  
Includes: Cassette tape; complete instructions (including use of ROM subroutines to input and output memory from keyboard and to screen).  
Ordering Info: From author  
Author:  
Don Ketchum  
313 Van Ness Avenue  
Upland, CA 91786  
(Dealer Inquiries Invited)

The MICRO Software Catalog is a continuing feature of MICRO. If you have any 6502 based software for sale (or exchange or free), please send a complete description which includes ALL of the information listed.

The MICRO Staff will not write up entries for the MICRO Software Catalog from other materials that you may provide. First, we do not have the time to do this. Second, since we are not as familiar with your software as you are, we can not hope to provide as meaningful a write-up as you can. Cover all pertinent information, but keep the write-up to a reasonable length. MICRO reserves the right to reject or edit any material submitted for this column.

Name of program:  
6502 systems:  
Memory locations required:  
Language (BASIC, Assembler,...):  
Hardware required:  
Description of program:  
Number of copies sold to date:  
Price:  
What is included in package (cassette, listings, paper tape, ...):  
Ordering information:  
Author(s):  
Company Name and Address:  
  
Send to:  
MICRO, P.O. Box 3, S. Chelmsford, MA 01824

## THE MICRO HARDWARE CATALOG

### A Call for Information

Starting with the next issue of MICRO, we plan to run a Hardware Catalog similar to the current Software Catalog. Information for this catalog will come from suppliers of the hardware: the manufacturer, distributor or dealer. This will NOT be a "Product Review" nor will inclusion of information indicate endorsement of the product by MICRO. We will not knowingly include products which do not meet the following guidelines:

1. The product must be directly related to 6502 interests. For example, a general purpose coding form would not qualify.
2. The product must be currently available:
  - A. Some units must have already been delivered.
  - B. Delivery on new orders should be no more than stock to four weeks.
3. The price must be included, along with any other pertinent information about discounts, shipping charges, etc.

### Suggestions for Hardware Catalog information:

1. Cover all of the important features of your product, but be concise. MICRO reserves the right to edit submissions which are too long.
2. A "picture is worth a thousand words" and doesn't cost you a thing. Since it is a lot more work to include pictures in the catalog, we are not sure that we will be able to use them, but if it is possible, we will.
3. Submit separate products as separate items for the catalog. First, we will not print conglomerate listings. Second, you get multiple exposure with separate listings.
4. Don't waste your time or ours submitting material which does not directly relate to the 6502 family.

MICRO reserves the right to reject any item submitted for inclusion in this catalog.

## A DEBUGGING AID FOR THE KIM-1

Albert Gaspar  
305 Wall Street  
Hebron, CT 06248

DEBUG is a program designed to assist the user in debugging and manipulating programs. It resides in memory locations 1780 - 17E6 and provides a means for inserting breakpoints in a user program, moving blocks of bytes throughout memory, filling memory with repetitious data, and calculating branch values. It uses selected KIM monitor subroutines.

### Operating Modes

DEBUG has three operating modes:

1. **Keyboard Mode:** DEBUG remains in a wait loop anticipating keyboard entry which will be recognized as either data or command characters. This mode is initiated either by using the KIM monitor to start at location 178E, or by the execution of a previously inserted breakpoint in a user program.
2. **Execute Mode:** DEBUG executes logic to service a user command. This mode is completed in microseconds and will not be noticeable by the user.
3. **Non-Control Mode:** DEBUG relinquishes control when the user keys in "RS", or "ST" during Keyboard Mode, or uses the CONTINUE Command.

To start, the user must first load "B5" into 17FE and "17" into 17FF using the KIM. Then the user begins DEBUG by starting at location 178E. This puts DEBUG into Keyboard Mode. The user then keys in combinations of the 16 data characters available on the keyboard. Input data is displayed in a manner similar to that of the KIM - from right to left - except that only the left-most five display positions are utilized (exceptions are noted below).

The user must continue to key in characters until he is satisfied that the required data is input. Then one of the several Command code characters available (B, C, D, E, or F) is keyed in. At this point, or at any time previous to this, if the input is not correct and the user wishes to change the display, he merely continues to enter data until the display string is correct. When the display concatenation is satisfactory (either 2 or 4 data characters and 1 Command character) he keys in "AD". Now DEBUG will go into Execute Mode (without echoing the entry of "AD") and immediately examines the last previous character input. If this character is not a legitimate Command character (B, C, D, E, or F), DEBUG becomes confused and will transfer to unpredictable memory locations. Thus the user is held wholly responsible for the validity of his input. He should always check that either his keyed-in data is correct before hitting "AD", or that his Command was indeed executed. Note: if a key other than "AD", the 16 data characters, "RS", or "ST" is depressed, its high order 4 bits are stripped and the remaining low order 4 bits are displayed and evaluated as whatever the combination happens to represent.

Assuming that the character input immediately prior to "AD" is a legitimate Command character, DEBUG - still in Execute Mode - will process the data which was input prior to the Command code (either 2 or 4 characters). Note that the Command values (B, C, D, E, or F) if found in

the data field are processed as standard hex values.

**BREAK** This command allows the user to insert a breakpoint anywhere desired in his program. When this point is subsequently reached during execution of his program, control will be passed to Keyboard Mode of DEBUG and further execution of the user program will effectively be temporarily discontinued. Also at this time the user area will be restored to the original configuration existing at the time of the breakpoint insertion.

Input Sequence:

Press Keys	See on Display
4 Data Characters B "AD"	4 char B1

The 4 Data Characters define the Breakpoint location desired. The BREAK Command saves the user byte at the Breakpoint and deposits a BRK instruction in place of it. Thus, that user area should not be altered by the user while DEBUG is in Non-Control Mode and a Breakpoint is eminent, or the Breakpoint return will not work. More than one Breakpoint can be eminent at one time; however since DEBUG will store only one byte at a time, multiple simultaneous Breakpoints should be applied only at user locations containing the same instruction. This way it is immaterial which BRK triggers a return to DEBUG - the user area will be properly replaced.

This Command includes 1 of 2 instances where the sixth display position is used. If the sixth position contains a 1, the Command has been correctly processed. If the position contains any other value, it indicates that depression of the "AD" key has caused multiple bounces and the byte stored by DEBUG within itself is now "00" - not the original user byte. Thus DEBUG will still function correctly but will not correctly restore the user position when a Breakpoint return is initiated. The user must restore the location manually (using KIM) after the return has been performed - otherwise "00" will be left in the location.

**CONTINUE** This Command causes DEBUG to pass execution to a user specified location. It is similar to the passing of control through KIM and either method may be used to execute user code.

Input Sequence:

Press Keys	See on Display
4 Data Characters C "AD"	4 char C0

The 4 Data Characters define the address to which control is to be passed. The above display is only momentary since control is immediately passed to a user area (Non-Control Mode). The purpose of the Continue Command will usually be to execute to a previously inserted Breakpoint. When this occurs, as previously stated, control returns to Keyboard Mode, of DEBUG. At this point, the leftmost 4 display digits will contain the address at which the Breakpoint was located. See Overall Notes #1 for a continuation warning.

**MOVE** This Command will move a block of up to 256 bytes to another memory area. It is non-destructive (unless, of course, a shift is performed).

**Input Sequence:**

Press Keys	See on Display
4 Data Characters F "AD" 4 char F0 (F for From)	
4 Data Characters D "AD" 4 char D0 (D for Destination)	
2 Data Characters E "AD" XX 2 char E0 (E for Execute)	

The 4 Data Characters above represent the locations one less than the locations, respectively, from which and to which the data is to be moved. The 2 Data Characters above represent the hex value of the number of bytes to be moved. If the user desires to move 256 (dec.) bytes, he must input "00" in the "E" Command. "F" and "D" execution may be input in either order - "F" then "D" or "D" then "F".

**MOVE** will correctly move blocks of bytes from one area of memory to another. However it will correctly shift bytes only in an upward direction. Attempting downward shifts will result in the repeating of as many of the last bytes in the original block as there is a difference in the block positions. For example - shifting a block of say (n) bytes starting at 0200 to a new area starting at 0202 will correctly shift the (n) bytes upward 2 locations. Attempting to shift a block of (n) bytes starting in 0202 to a new area starting in 0200 will result in the last 2 bytes of the original block to be repeated downward from their original locations continuing to 0200. This may not be completely undesirable since - 1) normally the user will be interested in expanding an area, not in compressing it (for example, to add instructions); and, 2) this serves as a useful tool to provide filler bytes in memory when desired.

**BRANCH** This Command assists in calculating Branch values.

**Input Sequence:**

1. Enter the necessary 12 bytes of Branch Overlay, either through KIM or by tape overlay. (These will, of course, have to be restored to the original configuration when through with BRANCH).

1. Put DEBUG into Keyboard Mode.

Press Keys	See on Display
2 char/2 Char. E "AD" 2 char/2 char/D-VALUE	

The first 2 characters are the 2 least significant values of the Branch Address. The next 2 characters are the 2 least significant values of the Branch to Address. The "E" stands for Evaluate. The correct Displacement VALUE will appear in the 5th and 6th display positions. The displacement is calculated assuming that the two addresses are in the same page. For page overlap, entry will have to be done twice. We believe that different users will have different preferential methods for doing this, so our own method, which is somewhat involved, is not described. If both entries are on the same page but are separated by a distance greater than the standard branch range, the value calculated will be incorrect. It is the user's responsibility to check for out-of-range values.

**Overall Notes**

1. When a Breakpoint has been executed, DEBUG does not store and then restore accumulator, register, and status values. Thus, the user must take care in continuing from a Breakpoint if any of these parameters have a subsequent bearing in further user program execution. (Though this and other omissions are glaring defects, no apology is made - there was just insufficient memory available for inclusion of any refinements.)

2. When returning from a "BRK" instruction, DEBUG pulls the status register information from the stack and ignores it. If this DEBUG version is used in conjunction with an interrupt system, locations 17FE - 17FF must contain the address of the user interrupt handler. The beginning of the handler must be similar to that shown on page 144 of the KIM Programming Manual. The logic listed in example 9.7 must be utilized as shown. "BNE BRKP" will point to the DEBUG location defined below. If the user handler determines that the interrupt was caused by "BRK", then the handler must jump to location 17B5. DEBUG will then obtain the "BRK" address and perform subsequent logic to return the user byte to its original configuration and continue on into Keyboard Mode.

3. This version of DEBUG uses page zero locations 0000, 0001, 0002, 0003, and 0004, but only as scratch areas during Keyboard and Execute Modes. The user can use these areas as temporary scratch areas when DEBUG is not being executed.

4. Due to limited instruction space, DEBUG is particularly susceptible to key bounce. The user should remain watchful of such occurrences, especially during BREAK execution as previously described.

5. My goal here was to fit as much DEBUG power into locations 1780 - 17E6 as possible - not to write a great breakpoint/move/branch calculate routine. (That has already been done by others) Thus DEBUG had to be written in relatively concise and tight code, using data as instructions, instructions as data, overlapping instructions, using the same code to do different things, instruction modification, position instructions in prescribed relative locations, use of "write-only-memory", etc. I do not approve of this type of programming - in fact I strongly recommend against it. However, in this case I hope the goal I had justifies the mess that DEBUG has turned out to be. In any event I would like to point out that as tight as the code is, it is still possible to add other functions here and there. For example the version I usually use displays the value of the accumulator in display locations 5 and 6 when returning back from a Breakpoint. At times I also use another version which doesn't require the "BRK" instruction at all. This is convenient when debugging interrupt programs since no additional interrupt is needed for DEBUG. However, both versions penalize me in other areas, which makes it all a trade-off decision.

[Editor's Note: Gaspar seems to be suggesting a collection of specialized DEBUG programs, each customized to provide a particular set of capabilities while residing in minimal memory. Using his code as a starting point, a "program-wise" reader should be able to construct his own set of DEBUG aids.]

ZERO	*	\$0000	LOCATION 0000
ONE	*	\$0001	
TWO	*	\$0002	
THREE	*	\$0003	
FOUR	*	\$0004	
INH	*	\$00F9	KIM DISPLAY POINTERS
POINTL	*	\$00FA	
POINTH	*	\$00FB	
RETURN	*	\$17B5	INTERNAL ADDRESS
TBLOFF	*	\$17D4	TABLE OFFSET
JUMPER	*	\$17DD	INTERNAL ADDRESS
INITI	*	\$1E8C	KIM INITIALIZE ROUTINE
SCANDS	*	\$1F1F	KIM SCAN DISPLAY ROUTINE
GETKEY	*	\$1F6A	KIM GET KEYBOARD CHARACTER
1780	B1 02	EXEC	LDAIY TWO GET CHAR TO BE MOVED
1782	91 00		STAIY ZERO MOVE IT
1784	88		DEY
1785	D0 F9	BNE EXEC	CONTINUE UNTIL DONE
1787	98	DANDF	TYA GET TO OR FROM ADDRESS
1788	95 F3	STAZX \$00F3	STORE IT IS SCRATCH
178A	A5 FB	LDAZ	POINTH
178C	95 F4	STAZX \$00F4	
178E	20 8C 1E	START	JSR INITI SET FLAGS AND INIT.
1791	20 1F 1F		JSR SCANDS DISPLAY BUFFER
1794	D0 F8	BNE	START
1796	20 1F 1F	KEY	JSR SCANDS NEW CHARACTER INPUT?
1799	F0 FB	BEQ	KEY NO, CONTINUE TO DISPLAY
179B	20 6A 1F	JSR	GETKEY YES, GET THE CHARACTER
179E	A6 04	LDXZ	FOUR PICK UP LAST CHAR. INPUT
17A0	C9 10	CMPIM \$10	IS THE NEW CHAR. "AD"?
17A2	F0 30	BEQ PROCES	YES. PROCESS CURRENT COMMAND
17A4	85 04	STAZ	FOUR NO. STORE IT
17A6	A2 04	LDXIM \$04	AND SHIFT IT INTO THE DISPLAY
17A8	0A	SHIFT	ASLA
17A9	26 F9	ROL	INH SHIFT THE DISPLAY LEFT
17AB	26 FA	ROL	POINTL
17AD	26 FB	ROL	POINTH
17AF	CA	DEX	
17B0	D0 F6	BNE	SHIFT DONE SHIFTING
17B2	85 F9	STA	INH YES. ADD NEW CHAR TO DISPLAY
17B4	F0 D8	BEQ	START UNCONDITION RETURN
17B6	38	SEC	
17B7	68	PLA	IGNORE STATUS
17B8	68	PLA	GET "FROM" ADDRESS
17B9	E9 02	SBCIM \$02	SUBTRACT 2
17BB	85 FA	STAZ	POINTL DISPLAY LOW ORDER
17BD	68	PLA	
17BE	E9 00	SBCIM \$00	SUBTRACT CARRY, IF ANY
17C0	85 FB	STAZ	POINTH DISPLAY HI ORDER
17C2	A2 0C	LDXIM \$0C	CHEAT ON RX
17C4	E6 F9	B INC	INH COUNT KEY BOUNCES
17C6	A0 00	LDYIM \$00	
17C8	B1 FA	LDAIY	POINTL GET USER BYTE
17CA	9D DC 17	STAX	\$17DC STORE IT
17CD	BD DB 17	LDAX	\$17DB GET "BRK"
17D0	91 FA	STAIY	POINTL STORE IN USER AREA
17D2	A2 0D	LDXIM \$0D	CHEAT ON RX
17D4	A4 FA	PROCES	LDYZ POINTL
17D6	BD D4 17	LDAX	TBLOFF PREPARE TO GO TO COMMAND LOGIC
17D9	8D DD 17	STA	\$17DD ALTER INSTRUCTION
17DC	D0 FF	BNE	JUMPER JMP TO COMMAND LOGIC
17DE	EA	NOP	FUTURE EXPANSION
17DF	E6	TABLE	= \$E6 BRANCH TO "B"
17E0	06		= \$06 BRANCH TO "C"
17E1	A9		= \$A9 BRANCH TO "D"
17E2	A2		= \$A2 BRANCH TO "E"
17E3	A9		= \$A9 BRANCH TO "F"
17E4	6C FA 00	C	JMI POINTL 00 OR ADDRESS USED AS "BRK"

BRANCH CALCULATION OVERLAY

```

                                ORG   $1780
                                INH   *   $00F9
                                POINTL *   $00FA
                                POINTH *   $00FB

1780 38      EXEC SEC      INITIALIZE SUBTRACT
1781 A5 FA      LDAZ POINTL
1783 69 FD      ADCIM $FD  CORRECTION CONSTANT
1785 E5 FB      SBCZ POINTH
1787 85 F9      STAZ INH   STORE RESULT IN DISPLAY
1789 4C 8E 17   JMP   $178E  JUMP TO START
    
```

Examples

1. Load DEBUG. Load "B5" into 17FE and "17" into 17FF.

2. Start execution at location 178E.

3. Depressing any of the 16 keyboard characters will cause the 5 leftmost display digits to shift left and the new character to be inserted into the fifth position.

4. Assume that there is a program in 0200-0250. Now, to execute from 0200-0240:

```

0 2 4 0 B AD      Display is 0240 B1
0 2 0 0 C AD      0200 C0
                  0240 XX
    
```

When the user program executes to location 0240, it will return to DEBUG which then will replace the original byte at 0240 and will return to Keyboard Mode.

5. User wishes to add a 3 byte instruction in 0241-0243. Thus he must shift his program from 0241-0250 to 0244-0253.

```

0 2 4 0 B AD      Display is 0240 B1
0 2 4 0 F AD      0240 F0
    
```

(Remember that MOVE requires addresses 1 less than the actual values.)

```

X X 1 0 E AD      Display is XX10 E0
    
```

(10 = 0250 - 0241 + 1)

This shifts bytes in 0241-0250 to 0244-0253. User can now insert his 3 new instructions into locations 0241, 0242, and 0243.

6. User wishes to load NOP into locations 0300-03FF. Load "EA" into 03FF using KIM. Return to DEBUG.

```

0 3 0 0 F AD      Display is 0300 F0
0 2 F F D AD      02FF D0
0 0 E AD          XX00 E0
    
```

(Move 256 decimal bytes.)

7. User wishes to calculate the value required for a HERE BCC START where HERE = 0204 and START = 0250.

First, load overlay (12 bytes) and return to DEBUG.

```

0 4 5 0 E AD      Display is 0450 4A
    
```

Thus the branch value is 4A and the branch instruction will be BCC 4A.

Remember that if further DEBUG usage is planned, the original 12 bytes starting at 1780 have to be replaced.

Program Notes

1. The instruction listings at 17B4 and 17E4 are NOT errors and must be placed in memory exactly as shown.

2. Locations 17E7 and 17E8 are used by the KIM monitor for tape checksum. However, their usage in DEBUG will not interfere with KIM since the two programs do not, of course, use them at the same time.

## 6502 INTERFACING FOR BEGINNERS: ADDRESS DECODING II

Marvin L. De Jong  
Dept. of Math-Physics  
The School of the Ozarks  
Point Lookout, MO 65726

I hope you did not turn any expensive integrated circuits into cinders with last month's experiments. We will begin this month by considering the questions raised in the last column. You will need to refer to the circuits, tables, and the program described there. The following

table describes the activity which takes place on the address bus and the data bus while the program is running. It is organized by clock cycles, each one microsecond long, starting with the op code fetch of the CLC instruction.

CYCLE	ADDRESS BUS	A15	A14	A13	DATA BUS	COMMENTS
0	0200	0	0	0	CLC op code	Pin 1 of LS145 is low because address lines A13-15 are low.
1	0201	0	0	0	STA op code	LED will glow when connected to pin 1, but not to other pins.
2	0201	0	0	0	STA op code	All other pins on LS145 are high.
3	0202	0	0	0	XX	Low order address of storage location on data lines.
4	0203	0	0	0	60	High order address of storage location on data lines.
5	60XX	0	1	1	accumulator contents	LED will light for 1 microsecond if connected to pin 4 on LS145.
6	0204	0	0	0	BCC op code	Pin 4 high, pin 1 low. LED will glow on pin 1 only.
7	0205	0	0	0	FB offset	6502 is now determining if and where to branch. Branch is to 0201 because
8	0206	0	0	0	garbage	carry was clear.

In the program loop address lines A14 and A13 go high only during cycle 5. Thus, for six cycles output 0 (pin 1) of the LS145 is low. The LS145 is an open collector device and acts like a switch to ground when the pin is in the L state, allowing current to flow through the LED. During cycle 5, when the address of the storage location is on the address bus, pin 4 is in the low state and will cause the LED to glow. Earth people do not perceive one microsecond flashes spaced six microseconds apart, so the LED appears to glow rather than flash. Since the majority of the loop time is spent with pin 1 at logic 0, a bright glow is observed on this pin. Changing the instruction from STA to LDA has no effect since the address bus goes through the same sequence for a LDA as it does for a STA. Changing the storage location from 60XX to something else will cause another pin of the LS145 to glow. The results of the LED test should agree with the truth table given for the LS145.

The pulse from the decoder which occurs when it responds to a particular address at its input pins is called a device select pulse or an address select pulse. The LS145 produces a logic 0 or active-low device select pulse, sometimes symbolized by  $\overline{\text{DS}}$  or  $\overline{\text{DS}}$ . This pulse is used to select or activate or enable another device in the computer system such as a memory chip, an I/O port, a PIA chip, or another decoder. As mentioned in the last column, the device select pulse from the LS145 could be used to enable a 74LS138 which would then decode address lines A10-12, dividing an 8K block into 1K blocks. Such a scheme is very similar to the expansion circuit suggested in the KIM-1 USER MANUAL, page 74. Similar circuits are also

used on memory expansion boards. In the present circumstance I have decided to make a trade-off between wasting address space and minimizing the number of chips on the breadboard. Our purpose here is to configure some I/O ports as simply as possible.

The decoding circuit is shown in Figure 1. A total of eight device select pulses are available for eight I/O ports. Note that one of the 8K selects (8K4) from the LS145 enables the LS138 which decodes the three low-order address lines. All of the 8K4 space is used to get eight I/O ports. Using a 74LS154 instead of the LS138 and decoding on more address line would give 16 I/O ports in the event we need more. Or we could take another 8K select to enable another LS138 or LS145, giving us 8 or 32 ports, respectively. There is no doubt that address space is being wasted, but few users use all 64K, or even 32K, so the waste may be justified. In Figure 1, address lines A0-2 are extended downward to indicate that they could be decoded by other devices such as an LS138 or LS154.

The addresses which enable the device select pulses DS0-7 are given in Figure 1. Note that since not all sixteen lines have been decoded to produce the pulses, the addresses shown are not the only ones which will work. For example, device select pulse 0 will be produced whenever the computer reads or writes to 8XX0 or 9XX0 (XX means any hex numbers). This should cause no difficulty unless we try to put other devices into the 8K4 block, in which case we could simply decode some other lines. If your system does not buffer the address lines, you should buffer them with the circuit shown in Figure 2.

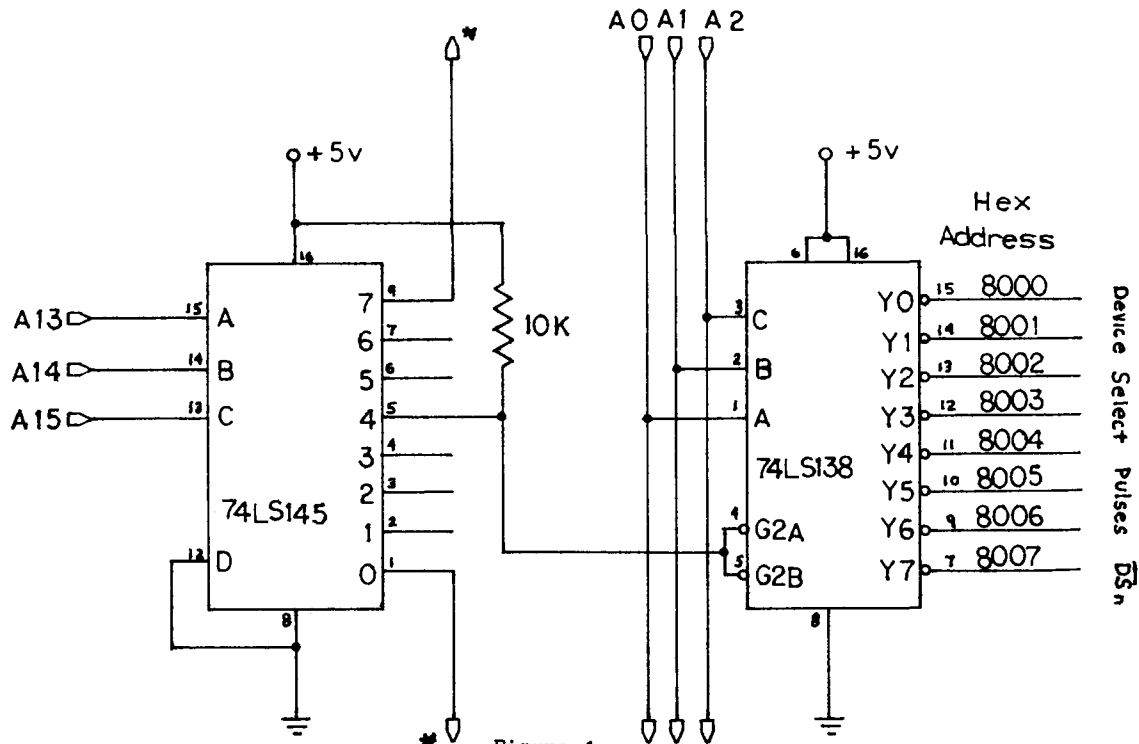


Figure 1.

Decoding Circuit to Select I/O Ports.  
See text for details.

Construct the circuits of Figures 1, 2, and 3. I managed to get them on one A P circuit board with no difficulty, with room for several more chips. I also found that the A P breadboard jumper wire kit is very handy for making neat layouts. Connect one of the device select lines from the LS138 to the flip-flop preset input (Test Circuit, Figure 3) and another device select line to the clear input. A pulse to the preset input will cause the Q output to go high, lighting the Q LED, whereas a pulse to the clear input will cause the  $\bar{Q}$  output to go high, lighting the  $\bar{Q}$  LED.

To test your decoding circuit write a one statement program, for example:

```
0200 AD 00 80      LDA DS0
```

If the line labeled 8000 is connected to the preset of the test circuit, the Q output will go high, lighting the LED, when the program is run. Running the program:

```
0200 AD 04 80      LDA DS4
```

will cause a switch of the flip-flop if the line 8004 is connected to the clear input. You should test all 8 device select lines from the LS138 with these programs by changing the connections and the addresses. Note that no data is being transferred since we have made no connections to the data bus. It should also be apparent that this scheme could be used to switch a motor, light, cassette recorder or other device off and on in a computer program. Eureka! We have made a simple I/O circuit.

To continue a little further, repeat the above experiments with a STA instruction replacing the LDA instruction. The results should be identical because in both cases it is the address of

the device select on the address bus which produces the pulse which flips the flop. One more experiment: connect the R/W line from the 6502 to the G1 input on the LS138 after removing the connection from G1 (pin 6) to pin 16. Now try the programs above, using first a LDA instruction, then a STA instruction. You should find that the program with the LDA instruction

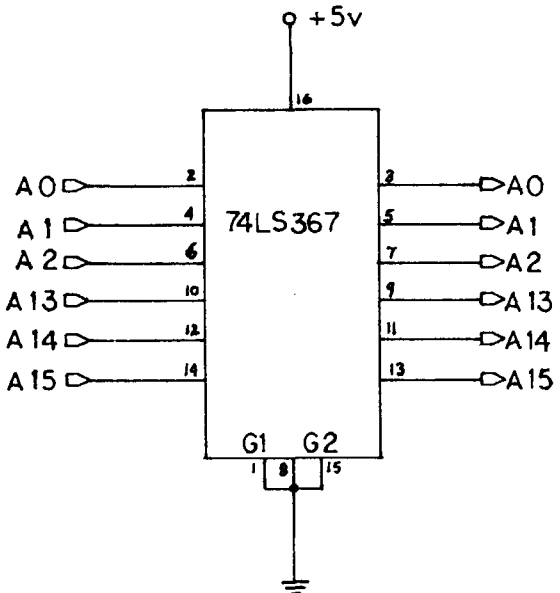


Figure 2.

Buffering the Address Lines.  
The arrows pointing into the chip are the lines from the 6502, while those pointing away go to the circuit in Figure 1.



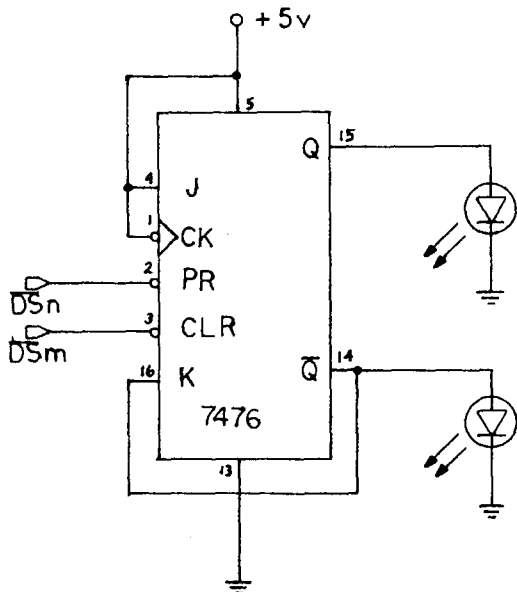


Figure 3. Test Circuit.

works, that is, the lights can be switched from off to on and vice versa, but the STA instruction does not work. Why?

Keep your circuit, as the material in the next column will refer to and make use of the circuit you have just completed.

A Note About Figure 1: The \* lines in Figure 1 suggest that something should be done with them. For the experiments described above, nothing need be connected to these lines, however when

we try to put data on the data bus these lines will become important. What you do depends on the system you are using. Since the KIM-1 is probably the most popular system among the readers, and since my own system is a KIM (expanded with a Riverside KEM and MVM-1024) the following details will be of most interest to KIM owners. Owners of other systems will have to dig into their manuals to make sure they are not de-selecting their on-board devices, or much worse, selecting two devices to put information on the data bus simultaneously. The KIM-1 has a 74145 decoder on-board which decodes lines A10-12; lines A13-15 are not decoded. Consequently, the lowest 8K0 block is already decoded, and the device select pulse from the LS145 in Figure 1 should enable the decoder on the KIM for all addresses in the 8K0 block. To do this simply connect the device select pulse from pin 1 on the 74LS145 in Figure 1 to pin K on the application connector on the KIM, making sure that the ground connection is first removed. A 10K pull-up resistor between pin 1 and +5V will also be necessary. The device select pulse from 8K7 should enable the device containing the restart and interrupt vectors. In the case of the KIM, pin 9 of the LS145 in Figure should enable the 6530-002 ROM by connecting it to pin J of the application connector. No pull-up is necessary.

Next issue we will examine the other pins on the 6502 which will be useful in configuring I/O ports, namely the bi-directional data bus, and the control signals. Hopefully we shall finish the circuitry needed to make an output port (8 bits), connect some LEDs to it, see if it works or smokes, and maybe think of a use for it.

A couple of parting shots: First, there is a very good educational series of articles in KILOBAUD magazine called KILOBAUD KLASROOM. It assumes less experience than I have assumed so far. Second, I hope you have obtained a "TTL Databook" from either Texas Instruments or National so that you can study the truth tables and other specifications of the chips we are using.

#### An Additional Experiment

The address decoding circuit of Figure 1 produces a one microsecond negative going one-shot pulse when a LDA instruction addresses one of the locations shown in Figure 1. This one-shot can be used for a variety of purposes, one of which is triggering the flip-flop shown in Figure 3. The program listed below makes use of an interval timer (KIM-1 system addresses) to produce a square wave. By varying the time loaded into the timer, the frequency can be changed,

and the duty cycle can be changed. Thus, we have produced a simple function generator with programmable period and duty cycle. The LEDs will show the results at low frequencies. Try this program and watch the LEDs. Amplify the Q output and connect it to a speaker; notice the effect of changing the time, the duty cycle, the wave shape (by filtering) or whatever else you can think of. Notice that I used device selects 8007 and 8001.

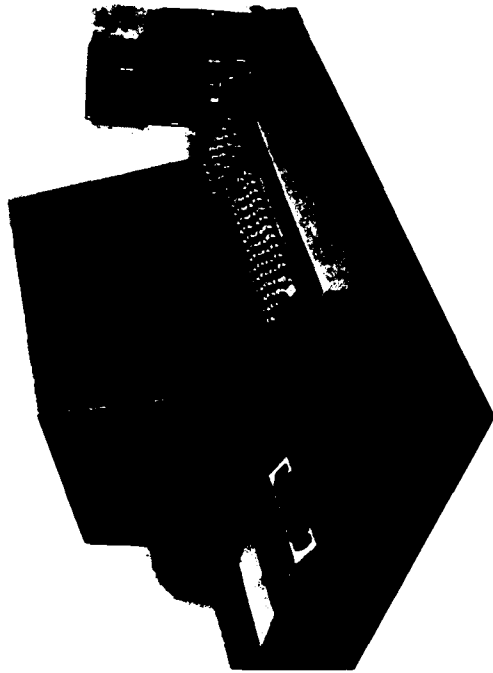
DSEVEN *	\$8007	DEVICE SELECT 7
DSONE *	\$8001	DEVICE SELECT 1
TIMER *	\$1707	KIM TIMER
CLKRDI *	\$1707	KIM CLOCK DONE TEST

```

0200 AD 07 80  START  LDA  DSEVEN  INIT DS7 DEVICE SELECT PULSE
0203 A9 FF      LDAIM $FF  INIT TIMER
0205 8D 07 17   STA  TIMER  START DIVIDE-BY-1024 TIMER FOR 256
0208 AD 07 17   BACK  LDA  CLKRDI  CYCLES, NOW CHECK TO SEE IF IT
020B 10 FB      BPL  BACK  IS FINISHED. IF NOT, CHECK AGAIN,
020D AD 01 80   LDA  DSONE  OTHERWISE TRIGGER DS1.
0210 A9 FF      LDAIM $FF
0212 8D 07 17   STA  TIMER  START TIMER FOR SECOND HALF OF
0215 AD 07 17   AGN   LDA  CLKRDI  CYCLE. IS TIMER READY?
0218 10 FB      BPL  AGN   NO, CHECK AGAIN, OTHERWISE JUMP
021A 4C 00 02   JMP  START  TO START OVER.

```

## Introducing the KIM BETA . . . a system expansion of the most popular single board computer to its full potential!



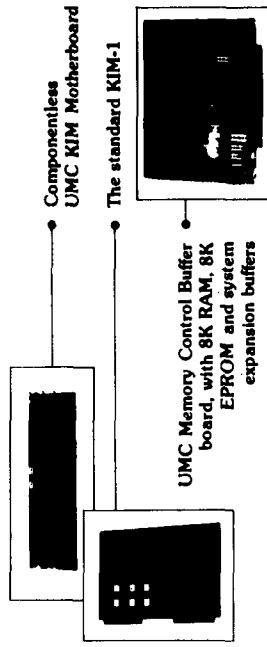
The KIM BETA is the HEART of a Full-Scale Computer System, including disk, printer, modems.

Suitable for . . . education. . . research. . . industrial control. . . and many other applications.

Available from: **United Microsystems Corporation**  
 "The Professional Computer Store"<sup>™</sup>  
 2601 South State Street  
 Ann Arbor, Michigan 48104  
 (313) 668-6806

## The KIM BETA offers unique expansion capabilities . . .

A unique systems approach which allows immediate expansion to 64K, beginning with 8K RAM and 8K EPROM with your choice of BASIC or FOCAL in EPROM or cassette tape, via the KIM-1 on-board cassette interface, and you use economical S-100 static memories for immediate expansion.



## KIM BETA Systems offer multiple expansion slots for:

- Economical S-100 memories
- DMA controller for MINI-FLOPPY DISKS
- EPROM programmer with personality modules
- Analog to Digital, Digital to Analog, or Modems boards
- Video-graphic display controller
- IEEE 488 BUS ADAPTOR
- Adding your own interface or WHATEVER
- A memory bank switcher
- Full keyboard including numeric keypad and function keys so you can have full control of your KIM-1 without modifying it
- And your KIM is COMPLETELY BUFFERED FROM ADDRESS AND DATA BUSES TO AVOID OVERLOADING

The basic system price of the KIM BETA including Memory Control Buffer board, 8K RAM, and Componentless Motherboard with 12" CRT, Full Keyboard with numeric pad and power supply.

The KIM BETA will arrive all enclosed in its own attractive cabinet, completely assembled and tested.

**only \$995.00**  
 (all software optional and available)

**United Microsystems Corporation**  
 "The Professional Computer Store"<sup>™</sup>  
 2601 South State Street  
 Ann Arbor, Michigan 48104  
 (313) 668-6806

## BROWN AND WHITE AND COLORED ALL OVER

Richard F. Sutor  
166 Tremont Street  
Newton, MA 02158

This article consists of two parts. The first is a brief discussion of the colors of the Apple and their relationships to each other and to the color numbers. Some of that information is used in the second part to generate a random color display according to certain principles suggested by Martin Gardner in his mathematical games column in Scientific American.

### The Color of Your Apple

The color of your Apple comes from your color TV. The video signal has many components. Most of the signal carries the brightness information of the picture - a black and white set uses this part of the signal to generate its picture. Superimposed on this signal is the "color carrier"; a 3.58 MHz signal that carries the color information. The larger this signal, the more colorful that region of the picture. The hue (blue, green, orange, etc.) is determined by the phase of the color signal. Reference timing signals at the beginning of each scan line synchronize a "standard" color signal. The time during a 3.58 MHz period that the picture color signal goes high compared to when the standard goes high determines the hue. A color signal that goes high when the standard does gives orange. One that goes low at that time gives blue. Signals that are high while the standard goes from high to low or from low to high give violet and green. (This, at least, was the intention. Studio difficulties, transmission paths and the viewers antenna and set affect these relations, so the viewer is usually given final say with a hue or tint control.)

The time relation of the color signal to the standard signal is expressed as a "phase angle", is measured in angular measures such as degrees or radians and can run from 0 to 360 degrees. This phase angle corresponds to position on a color circle, with orange at the top and blue at the bottom, as shown in Figure 1.

The perimeter of the circle represents different colors or hues. The radial distance from the center represents amount of color, or saturation. The former is usually adjusted by the tint control, the latter by the color control. A color that can be reproduced by a color TV can be related to a point in this circle. The angular position is coded in the phase of the 3.58 MHz color carrier signal; the radial distance from the center is given by the amplitude of the color carrier.

The numerical coding of the Apple colors can be appreciated using this circle and binary representation of the color numbers. The low order bit corresponds to red (#1). The second bit corresponds to dark blue (#2), the third to dark green (#4) and the high order bit to brown (dark yellow, #8). To find the color for any color number, represent each 1 bit as a quarter-pie piece centered over its respective color, as indicated in Figure 1. The brightness or lightness of the color corresponds to the number of pie pieces and the color corresponds to the point where the whole collection balances. Black, #0, has no bits set, no pie and no brightness. White, #15, has four bits set, the whole pie, is of maximum brightness and balances in the center of the circle at neutral. Orange,

#9 or 1001 in binary, has pie over the top hemisphere and balances on a point between neutral and orange. The #5, binary 0101, has two separate wedges, one over red and one over green. Since it is symmetric, it balances at the center. It represents a neutral gray of intermediate brightness. So does the #10. The #14 has pie over every sector except the red one. It is bright and balances on a line toward forest green. It gives a light, somewhat bluish green.

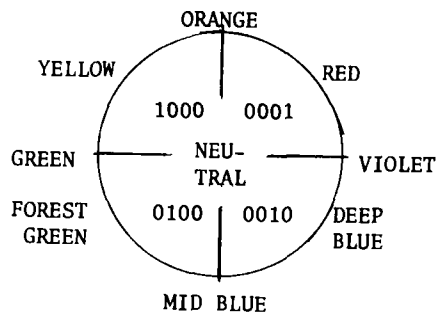


Figure 1.

Color circle shows relations of color to color number bit position.

A diagram representing the relations of all the colors is given in Figure 2. Each of the one, two and three bit numbers form planes, each corresponding to a color circle. One can think of these positions as points in space, with brightness increasing with vertical position and horizontal planes representing color circles of differing brightness.

The colors of the Apple are thus coded by the bit patterns of the numbers representing them. You can think of them as additive combinations of red, dark blue, dark green and brown, where adding two colors is represented by ORing the two numbers representing them. Subtractive combination can be represented by ANDing the light colors, pink, yellow, light green and light blue. The more bits set in a number, the brighter; the fewer, the darker. The bit patterns for 5 and 10 have no 3.58 MHz component and so generate a neutral tone. At a boundary between 5 and 10 however, this pattern is disturbed and two bits or spaces adjoin. Try the following program which has only grays displayed:

```
10 GR
20 FOR I = 0 TO 9
30 COLOR = 5
40 HLIN 0,39 AT 2*I
50 VLIN 20,39 AT 2*I
60 VLIN 20,39 AT 2*I+21
70 COLOR = 10
80 HLIN 0,39 AT 2*I + 1
90 VLIN 20,39 AT 2*I + 1
100 VLIN 20,39 AT 2*I + 20
110 NEXT I
120 RETURN
```

The top half of the display has HLIN's, alternating 5 and 10. The bottom half has VLIN's, alternating 5 and 10. What do you see? The bit pattern for a number is placed directly on the video signal, with the four bits occupying one color carrier period. When two bits adjoin at a

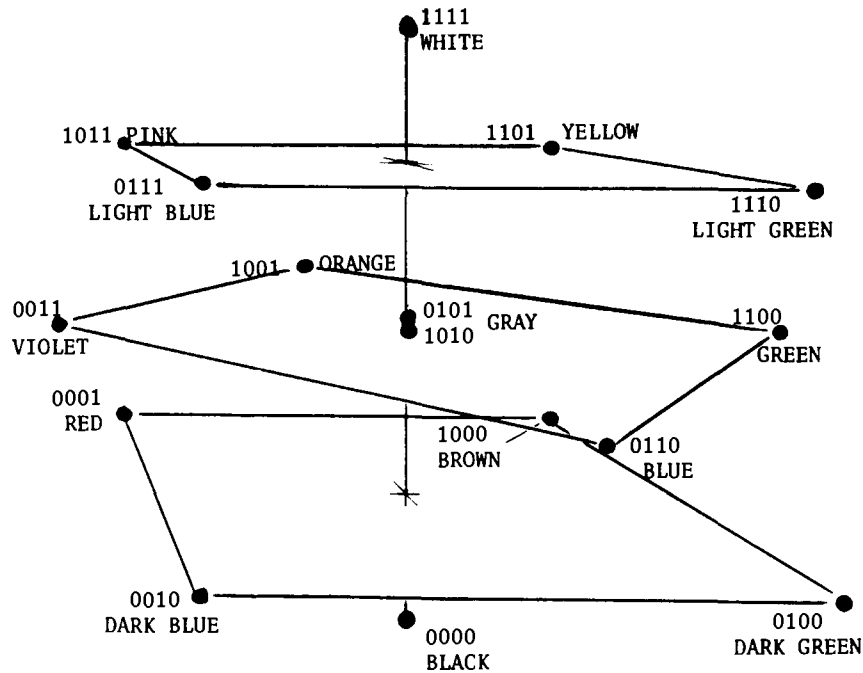


Figure 2.

Color space locations of the Apple II colors.  
Each horizontal plane forms a color circle  
of different brightness.

5,10 boundary, a light band is formed. When two spaces adjoin, a dark band is formed. The slight tints are due to the boundaries having some color component. Changing the 5,10 order reverses this tint.

Now is perhaps a good time to consider just how large a 3.58 MHz period is. The Apple text is generated with a 5x7 dot matrix, a common method of character generation. These same dots correspond to individual bits in the high resolution display memory. One dot is one-half of a 3.58 MHz period and corresponds to a violet (#3) or green (#12) color signal. This is why the test is slightly colored on a color TV and the high resolution display has two colors (other than black and white), green and violet. (But you can make others, due to effects similar to those seen in the BASIC program above.)

(The design of color TV has further implications for the display. The video black and white signal is limited to about 4 MHz, and many sets drop the display frequency response so that the color signal will not be obtrusive. A set so designed will not resolve the dots very well and will produce blurry text. Some color sets have adjustments that make the set ignore the color signal. Since the color signal processing involves subtracting and adding portions of the signal, avoiding this can sometimes improve the text resolution. Also reducing the contrast especially and the brightness somewhat can help with text material.)

The color TV design attempts to remove the color carrier from the picture (after duly providing the proper color), but you may be able to see the signal as 3 or 4 fine vertical lines per color block. They should not be apparent at all in the white or black or either gray (except possibly on a high resolution monitor).

#### Tan is Between Brown and White

This section presents a brief application of the concepts of the relationships in color space of the Apple colors. Many of you, I suspect, are regular readers of Martin Gardner's "Mathematical Games" column in Scientific American. I strongly recommend it to those of you who have not already been introduced. It publicized "Life" (MICRO 5:5) and motivated "Applayer" (MICRO 5:29), and was the motivation for this program. There's a lot of gold in the mine yet.

In April, the column discussed the aesthetic properties of random variations of different kinds. To summarize briefly, three kinds are:

- WHITE Each separate element is chosen randomly and is independent of every other element. Called "white" because a frequency spectrum of the result shows all frequencies occur equally, a qualitative description of white light.
- BROWN Each separate element is the previous element plus a randomly chosen deviation. Called "brown" because Brownian motion is an example.
- 1/F So called because of its frequency spectrum, intermediate between "white" and "brown".

The column presented arguments, attributed to Richard Voss, that 1/f variations are prevalent and aesthetically more satisfying than "white" (not enough coherence) or "brown" (not enough variation). An algorithm was given for generating elements with 1/f random variations. Briefly, each element is the sum of N terms (three, say). One term is chosen randomly for each element. The next is chosen randomly for every ot-

her element. The next is chosen randomly for every fourth element, and so forth.

With the Apple, one can experiment with these concepts aurally (hence Applayer) and visually with the graphic displays. Color is a dimension that was not discussed much in the column. This section presents an attempt to apply these concepts to the Apple display.

Most of us know what "white" noise is like on the Apple display. An exercise that many try is to choose a random point, a random color, plot and repeat. For example:

```
10 GR
20 X = RND(40)
30 Y = RND(40)
40 COLOR = RND(16)
50 PLOT X,Y
60 GOTO 20
```

Dispite the garish display that results, this is a "white" type of random display. Except for all being within certain limits, the color of one square has no relationship to that of its neighbors and the plotting of one square tells nothing about which square is to be plotted next.

To implement the concept of "1/f", I used the following:

1. X and Y are each the sum of three numbers, one chosen randomly from each plot, one every 20 plots and the third every 200.

```
>LIST
1 DIM A(16):A(1)=0:A(2)=2:A(3)
  )=6:A(4)=7:A(5)=3:A(6)=1:A(
  7)=5:A(8)=11
2 A(9)=9:A(10)=8:A(11)=10:A(12)
  )=13:A(13)=15:A(14)=14:A(15)
  )=12:A(16)=4
10 GOTO 3000
100 PLOT X,Y: PLOT 38-X,Y: PLOT
  X,38-Y: PLOT 38-X,38-Y: PLOT
  Y,X: PLOT 38-Y,38-X: PLOT Y,
  38-X: PLOT 38-Y,X
110 RETURN
120 Z=16
125 L= RND (5)-2
130 U= RND (9):V= RND (9)
147 FOR B=1 TO 10
150 R=U+ RND (9):S=V+ RND (9)
155 IF PEEK (-16286)>127 THEN GR
160 K=K+L: IF K>16 THEN K=K-2
165 IF K<0 THEN K=K+Z
```

2. A table of color numbers was made (DIM(16) in the program) so that color numbers near each other would correspond to colors that are near each other. The choice given in the program satisfies the following restrictions:

- a. Adjacent numbers are from adjacent planes in Figure 2.
- b. No angular change (in the color planes) is greater than 45 degrees between adjacent numbers.

3. The color number is the same for 20 plots and then is changed by an amount chosen randomly from -2 to +2. This is a "brown" noise generation concept. However, most of the display normally has color patches that have been generated long before and hence are less correlated with those currently being plotted. I'll claim credit for good intentions and let someone else calculate the power spectrum.

4. Each "plot" is actually eight symmetric plots about the various major axes. I can't even claim good intentions here; it has nothing to do with 1/f and was put in for a kaleidoscope effect. Those who are offended and/or curious can alter statement 100. They may wish then to make X and Y the sum of more than three terms, with the fourth and fifth chosen at even larger intervals.

The program follows. A paddle and push buttons are used to control the tempo and reset the display. If your paddle is not connected, substitute 0 for PDL(0).

```
170 COLOR=A(K)
180 Q=( PDL (0)/2) ^ 2
190 FOR I=-Q TO Q: IF PEEK (-16287)
  )>127 THEN 200: NEXT I
200 FOR I=1 TO 20
210 X=R+ RND (6):Y=S+ RND (6): GOSUB
  100: NEXT I
220 NEXT B
230 GOTO 120
1010 K=1:L=5
1020 Z=16
2000 GOTO 120
3000 GR: CALL -936
3010 PRINT "PADDLE 0 CONTROLS PATTERN
  SPEED"
3020 PRINT "USE BUTTON 0 TO GO AT ONC
  E TO HI SPEED"
3030 PRINT "HOLD BUTTON 1 TO CLEAR SC
  REEN"
3040 GOTO 1010
9000 END
```

```
>CALL 858
```

## DARRELL'S APPLEWARE HOUSE

We are the APPLE experts when it comes to software. We are professionals and not just hobbyists. Data Processing is our business.

Most programs are done in Integer Basic to allow user modifications. The following programs require 20K or more of memory. All programs use parallel port printers.

BUSINESS INVENTORY (\$160.00 for package)

- PROGRAM 200 (\$50) - Completely maintains inventory file.
- PROGRAM 205 (\$20) - Fast machine language sort on Part No.
- PROGRAM 210 (\$50) - Prints sales slips, updates inventory file.
- PROGRAM 220 (\$50) - Generates reorder report by manufacturer code.

APPLEEDITOR (\$50) - A word processor that takes care of all your letter and document needs. In two versions, 39 characters and 79 characters.

APARTMENT RENTAL PROGRAM - Prints bill and labels. Maintains arrears for each unit.

MACHINE LANGUAGE SORT FOR THE FOLLOWING PROGRAMS (\$20)

UNIVERSAL DATABASE (\$60) - You define your database once for each use you have in mind.

DAILY CALENDAR (\$50) - Search your future or past appointments.

HOME IMPROVEMENT FILE (\$50) - Store all your improvements on file for future.

HOME INVENTORY FILE (\$50) - Store all your home furnishings on tape for insurance purposes.

EXPENSE ACCOUNT FILE (\$50) - Maintain all your travel, meals and business or personal expenses on tape.

VENDOR FILE (\$50) - Store all your vendors on file.

FILING SYSTEM CROSS REFERENCE FILE (\$50) - Now you can find everything in your files.

MACHINE LANGUAGE SORT FOR ANY RECORD UP TO 255 CHARACTERS (\$20)

GAMES: CAR RACE PROGRAM IN HIGH RESOLUTION GRAPHICS (\$7.50)

BINGO FOR 36 PLAYERS (\$10) - Uses printer to print Bingo cards.

For further information about above programs, send \$1.00 for postage and handling to:

DARRELL'S APPLEWARE HOUSE  
17638 157th Avenue, S.E.  
Renton, Washington 98055

No C.O.D. Allow two weeks for personal check to clear. Washington residents add 5.4% sales tax. For orders under \$100.00 please add \$2.00 for shipping and handling. Dealer inquiries welcome.

**6502 BIBLIOGRAPHY  
PART V**

William Dial  
438 Roslyn Avenue  
Akron, OH 44320

335. Smith, Stephen P. "6502 Disassembler Fix", DDJ 3, No. 23, Issue 3, Pg 3 (March 1978)  
ROR and ROL instructions were omitted in the previously published disassembler -  
DDJ 3, Issue 1. This offers a simple fix.
336. KIM-1 User Notes, Issue 9/10, (January - March 1978)  
Butterfield, Jim "Dicey" page 17. A program to roll up to six dice.  
Butterfield, Jim "Teaser" page 17. Jumbo version of Bob Albrecht's "Shooting Stars".  
Lewart, Cass "Correction for Lancaster's TVT" page 20.  
Oliver, John P. "Comments and Corrections for SUPERDUMP/LOAD" pg 21.
337. Quosig, Karl and Susan "Input/Output", Personal Computing 2, No. 4, pg 8 (April 1978).  
Comments on PET problems.
338. Bishop, Robert J. "Rocket Pilot", Kilobaud No. 13, pg 90 (Jan. 1978)  
And interactive game for the Apple II.
339. OSI-Small Systems Journal 2, No. 1 (January-February 1978)  
Anon. "What's a USR Function". Via the USR function, one can have a 6502 BASIC program  
which works in conjunction with one or several machine code programs.  
Anon. "Quickie". A 6502 BASIC program for converting decimal to binary numbers.  
Glasser, Daniel "Chessboard". Program in 6502 BASIC for a computer chessboard which  
moves pieces and displays the new board. Not a chess program.  
Anon. "DOS CNTRL". A BASIC program to perform transfers to or from OSI's new hard  
disk drive.  
Anon. "Track Zero Writer". A Machine language program to modify track zero.  
Anon. "9 Digit BASIC". A concise method for modifying OSI 9 Digit BASIC for an  
end-user 9 Digit BASIC.  
Anon. "OS-65U Performs". A description of a new system said to be a new standard for  
microcomputer operating systems.  
Anon. "500/510 Breakpoint Utilities". A breakpoint program.  
Anon. "510 Tracer". A tracer program which prints a disassemble of the next instruction  
to be executed.
340. Bishop, Robert J. "Fiendish New QUBIC Program", 73 Magazine, No. 209, pg 78 (Feb 1978).  
An attempt at producing an improved version of the original Qubic program.
341. Rosner, Richard "Daddy, Is It The PET?", ROM 1, No. 9, pg 26 (Mar/April 1978)  
Description of many features and operations of the PET, including many "how to"  
instructions.
342. Bishop, Robert J. "LOGAN - A Logic Circuit Analysis Program", Interface Age 2, No. 6,  
pg 128 (May 1977). An Apple I BASIC program for analyzing networks of logic gates.
343. Bishop, Robert J. "Apple Star Trek", Interface Age 2, No. 6, pg 132 (May 1977).  
Star Trek written in Apple I BASIC.
344. Chamberlin, Hal "Microcomputer Input/Output", Popular Electronics 13, No. 5, pg 86 (May 1978).  
Comments on the KIM's memory-mapped I/O system.
345. Peoples Computers 6, No. 6 (May/June 1978)  
Johnson, Ralph "Letters". The University of California at San Diego plans a Pascal  
system for the 6502.  
Cole, Phyllis "Apple II". A review of this 6502 based micro.  
Voros, Todd L. "Sketchcode". A technique to minimize errors and simplify the process  
of debugging. Listed in 6502 assembly code.  
Offen, Dave "Kaleidoscope". A continuously running graphics program for the PET.  
Hofheintz, M. C. "Tiny GRAPHICS". A short graphics program for the PET.
346. Gordon, H. T. "Editha", DDJ 3, Issue 5, No. 25, pg 34 (May 1978). A revision of the  
Fylstra KIM-1 Editor program "SWEETS" published in BYTE.
347. Tullock, Michael "PET Files", Personal Computing 2, No. 5, pg 20 (May 1978). Things your  
user's manual never told you about PET. How to use files.

348. O'Reilly, Francis J. "Instruction Search", Byte 3, No. 5, pg 153 (May 1978). Discussion of 6502 op code 27 and the search for other as yet undefined instructions.
349. Carpenter, Charles R. "Tiny BASIC Shortcuts", Kilobaud, Issue 18, pg 42 (June 1978). Suggests methods to expand the capabilities of Tom Pittman's Tiny BASIC for the 6502.
350. O'Haver, T. C. "More Music for the 6502", Byte 3, No. 6, pg 140 (June 1978). A music composition and generation program.
351. O'Haver, T. C. "Audio Processing with a Microcomputer", Byte 3, No. 6, pg 166 (June 1978). Adding a virtual tape loop. Uses a 6502 processor.
352. Eaton, John "Low Cost Keyboard - II", 73 Magazine, No 213, pg 100 (June 1978). Part II of an article on the low-cost keyboard. Software is designed around the 6502.
353. Swindle, David "A Sensible Expansion: Atwood Memory for your KIM", Kilobaud, Issue 19, pg 60 (July 1978). Description of a low cost method to add memory to KIM.
354. MICRO, Issue 4 (April/May 1978)  
 Carpenter, C. R. "Variables Chart". Chart to layout and keep track of string and numerical variables for Apple II Applesoft BASIC.  
 Floto, Charles "The PET Vet Examines Some BASIC Idiosyncrasies". Includes suggestions and modifications for a Mailing List Program by Richard Rosner.  
 DeJong, Marvin L. "A Complete Morse Code Send/Receive Program for the KIM-1". Converts ASCII from a keyboard to a Morse code digital signal and also converts a Morse code digital signal to an ASCII code for display on a video system.  
 O'Brien "PET Software from Commodore". New selected Application notes from Commodore.  
 Floto, Charles "Early PET-Compatible Products". A review of several new accessories for the PET.  
 Rowe, Mike "The MICRO Software Catalog". A continuing catalog of software available for 6502 based systems.  
 Carpenter, C. R. "Apple II Printing Update". Updated information and modifications of the system described previously in MICRO No. 3.  
 Chamberlin, Hal "Standard 6502 Assembly Syntax?". A plea for standardization.  
 Rowe, Mike "A Worm in the Apple". Discussion of some problems encountered in interfacing the Apple to other devices such as the 6820 PIA.  
 Jenkins, Gerald C. "A KIM Beeper". A short blast or two of audio for load errors, end-of-line, etc.  
 Auricchio, Rick "An Apple II Programmer's Guide". Some of the previously undisclosed details of the Apple Monitor.
355. O'Connor, Clint "Book Review: Programming a Microcomputer: 6502", Kilobaud, Issue 20, pg 8 (August 1978). A very favorable review of Caxton C. Foster's book.
356. Grossman, Rick "KIM Plus Chess Equals Microchess", Kilobaud, Issue 20, pg 74 (August 1978). A challenging game of Chess can be played in KIM's 1K of memroy using MicroChess by Peter Jennings.
357. Palenik, Les "FINANC - A Home/Small-Business Financial Package", Kilobaud, Issue 20, pg 84 (August 1978). Programs include Calculations on investments, Depreciation, Loans, etc.
358. Braun, Ludwig "Commodore PET", Creative Computing 4, No. 4, pg 24 (July/August 1978)
359. Creative Computing 4, No. 4 (July/August 1978).  
 Braun, Ludwig "Commodore Pet". An equipment profile which stresses the value of the PET as a teaching machine.  
 North, Steve "Apple II Computer". An equipment profile points out that the Apple is not a machine for the classroom or for the S-100 hardware buff but is one of the most versatile micros on the market.  
 Dawkins, Gary D. "High-Resolution Graphics for the Apple II". Allows user to draw a shape in high-resolution graphics mode from the keyboard.  
 Ahl, David H. "Atari Video Computer System". An equipment profile of a 6505 based programmable game system.



- Covitz, Frank H. "Life for your PET". LIFE written in machine language for the PET. Rockwell International "Rockwell's New R6500/1". The 6500/1 is a single chip NMOS microcomputer, 1 or 2 MHz, fully compatible with the 6500 family.
- De Jong, Marvin L. "6502 Interfacing for Beginners: Address Decoding I". The first installment in a continuing series.
- Rowe, Mike "Half a Worm in the Apple". More on the controversy on interfacing the Apple to PIA's. See also EDN May 20, 1978.
- Sander-Cederlof, Bob "A Slow List for Apple BASIC". Program slows down the list process so it can be more easily reviewed.
- Rowe, Mike "The Micro Software Catalog: II". The second part of this continuing series.
- Synertek Inc. "Synertek's VIM-1". A good description of the many features of the 6502 based VIM-1. Similar to and compatible with KIM-1 with some new features.
- Suitor, Richard F. "Applayer Music Interpreter". A music interpreter written in 6502 assembly language for the Apple, but can be used on other 6502 systems.
- Dial, William "6502 Bibliography - Part IV". The fourth part of the continuing bibliography of the 6502 literature (of which this is the fifth part!).
- Williams, J. C. "A Block Hex Dump and Character Map Utility Program for the KIM-1". A fully relocatable utility program which will dump a specified block of memory from a KIM to a terminal in several formats.
- Rockwell International "Rockwell's AIM is Pretty Good". Rockwell's AIM 65 is an assembled versatile microcomputer system on one board plus keyboard. It has a 20-character display and a 20-character thermal printer, 4K ROM monitor, 1K RAM expandable on board to 4K. Application and Expansion connectors are fully KIM-1 compatible. TTY and Audio Cassette, DEBUG/MONITOR/ ROM or EPROM on board up to 16K. 8K BASIC will be available in ROM.
- Carpenter, Chuck "Apple II Accessories and Software". Items reviewed include a renumber and append program, a serial interface board, a MODEM, Applesoft II, and the "APPLE II BASIC Programming Manual".
- McCann, Michael J. "A BASIC 6502 Disassembler for Apple and PET". Accepts machine language -object code- and produces a symbolic representation that resembles an assembly listing. Originally written in Commodore BASIC, it will work with Applesoft BASIC as well.

### PROGRAMMING A MICRO-COMPUTER: 6502

by Caxton C. Foster

(Reviewed by James R. Witt, Jr.)

For those of you in the computing world who have recently purchased or constructed a microcomputer based on the 6502 microprocessor (the KIM-1 fits this description) and can't put it to reasonably practical use, then perhaps your headaches are over! Programming a Micro-Computer: 6502 by Caxton C. Foster may be exactly what you need to halt your frustrations. Foster presents the reader with a combination of reference manual for programming and an introduction to 6502 systems, specifically using the KIM-1 as a model.

The motivation behind Foster's work is practicality. Right from the beginning of the first chapter a hypothetical situation is introduced, circumstances that one might face in the course of an average day, and the microcomputer is suggested as a solution. Initially, a simple problem is introduced, a problem one would not expect a computer to solve due to its simplicity. Yet, this enables the reader to grasp the basic operation of running an uncluttered program successfully. Possible reasons as to why a certain program fails are provided to lessen confusion.

With successful completion of one program, the author wastes no time moving on to new situations. This may seem somewhat fast and confusing to those who greet micros as a totally new experience. Yet the situations do become more interesting and more challenging to solve by computer software. Such programs include:

"Keybounce", "A Combination Lock", and "Digital Clock" among others. Several of these programs are completely legitimate and fully operable.

As noted before, Foster moves at a swift pace. At certain points, various instructions and KIM-1 anatomy are condensed into a mere page or two. Basic understanding of digital electronics is assumed often and may be required before fully digesting some of this material. These two minor weaknesses may tend to boggle the mind of the newcomer and hinder his comprehension of the purpose of programming and its make-up.

Suggestions: For those who are newcomers to the "sport" of computing and digital electronics, you may want to consider some other preliminary instructions BEFORE undertaking this book. If you have some sense of digital, but little knowledge of micros, you should tackle it, but should make notes of important items the first time through each chapter, and then reread the chapter to pull the odds and ends together. If you have written simple programs but have an appetite for more complex problem-solving, then Programming A Micro-Computer: 6502 will be a definite aid and resource in satisfying your hunger.

Programming A Micro-Computer: 6502, by Caxton C. Foster, published by Addison-Wesley, 1978.

# MICRO

## SUBSCRIPTION AND RENEWAL INFORMATION

If you are a subscriber to MICRO, then the code following your name on the mailing label is the number of the last issue your current subscription covers. If your code is 06, then this is your last issue. MICRO will NOT send out renewal notices. So, if your number is coming up, get your subscription renewal in soon. and, please check your label for correct address and notify us of any corrections or changes.

MICRO is currently published bi-monthly. The first issue was OCT/NOV 1977. The single copy price is \$1.50. Subscriptions are \$6.00 for six issues in the USA. Six issue subscriptions to other countries are listed below.

[Payment must be in US \$.]

Surface: Canada/Mexico	\$7.00
All other countries	\$8.00
Air Mail: Europe	\$14.00
South America	\$14.00
Central America	\$12.00
All other countries	\$16.00

Issues #1, 2, 3, 4, and 5 are available while the supply lasts. The price is \$1.50 per copy - USA, Canada or Mexico. Other countries add \$.50 per copy surface or \$1.25 per copy air mail.

Name: . . . . .  
 Addr: . . . . .  
 City: . . . . .  
 State: . . . . . Zip: . . . . .  
 Country: . . . . .  
 Amount: \$ . . . . . Start MICRO #: . . . . .  
 Back Issues: . . . . .

Your name and address will be made available to legitimate dealers, suppliers, and other 6502 interests so that you may be kept informed of new products, current developments, and so forth - unless you specify that you do not wish your name released to these outside sources.

Send payment to:

MICRO, P.O. Box 3, S. Chelmsford, MA 01824, USA

## READER FEEDBACK

With this sixth issue of MICRO, we come to the end of MICRO's first year. We are quite pleased with the growth of MICRO, with the support we have received from authors and advertisers, and with the generally positive feedback from our readers. While it is always nice to read "love letters", we would like to get some specific information about you and your interests in the 6502 world. Please take a few minutes to answer the following questions. Your answers will very definitely effect the future course of MICRO.

1. Please describe your current 6502 based equipment in detail: type, amount of memory, and so forth:

2. Describe products you would like to purchase in the next year, whether or not they currently exist, and what you would consider a reasonable price:

3. Describe the uses you have or foresee for your 6502 based equipment:

4. What kind of articles do you want to see in MICRO:

5. Assuming the size stayed the same, would you like to see MICRO published monthly?

6. The current printing format of MICRO - the heavy stock and three hole punching - costs more than a standard magazine format. It was designed so that readers could take the journal apart and save article of interest in notebooks. We will continue this format if enough readers feel strongly about it. Please circle one:

Keep Format or Else!	Prefer Current Format.	Don't Really Care.	Prefer Normal Magazine Format.
-------------------------	------------------------------	--------------------------	---

7. Please rate your skill level in micros:

Hardware:	Beginner	Intermediate	Expert
Software:	Beginner	Intermediate	Expert

8. What was your favorite MICRO article?

Thank you for taking the time. Send this sheet to:

MICRO, P.O. Box 3, S. Chelmsford, MA 01824

## PET COMPOSITE VIDEO OUTPUT

Cal E. Merritt  
R. 1, 4 Richfield Lane  
Danville, IN 46122

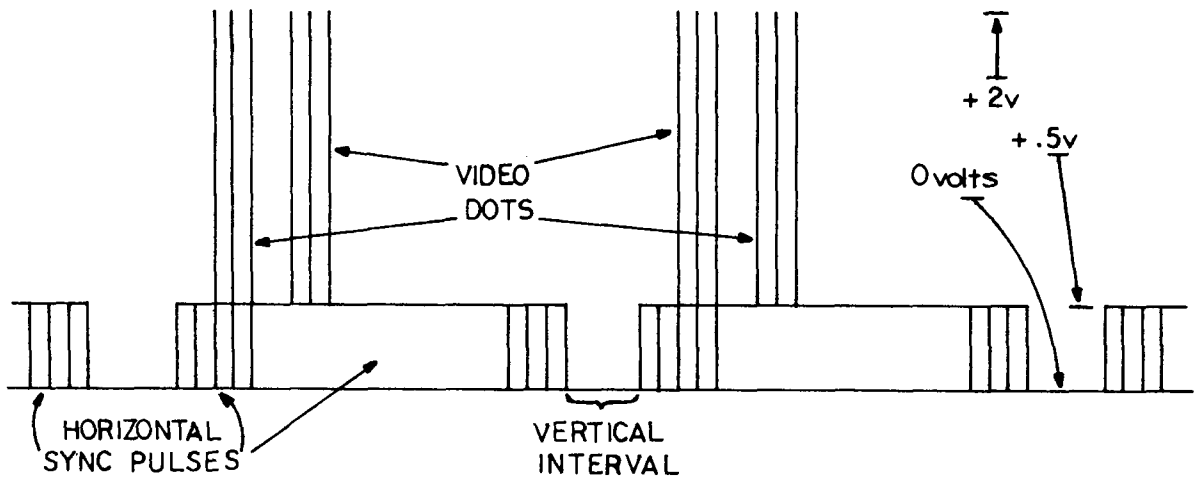
I used one of the existing PET 5 volt sources. The easiest way to steal the video and drives is to carefully scrape clean the foils next to the monitor plug and tack solder a twisted pair to each signal and to the closest ground buss. Other variations would work equally well.

To avoid metal shavings and such falling on the main board, I removed the back cover from the monitor (Power OFF) and mounted a BNC jack two inches to the right of the brightness control

The circuit is very simple and can be put together with a wire wrap tool in a few minutes.

Video monitors seem very tolerant and the two units I have used work fine. The only problem encountered was in attempting to do all white screen or very dense graphics which caused sync tear in one of the monitors. Normal or dense listings worked well.

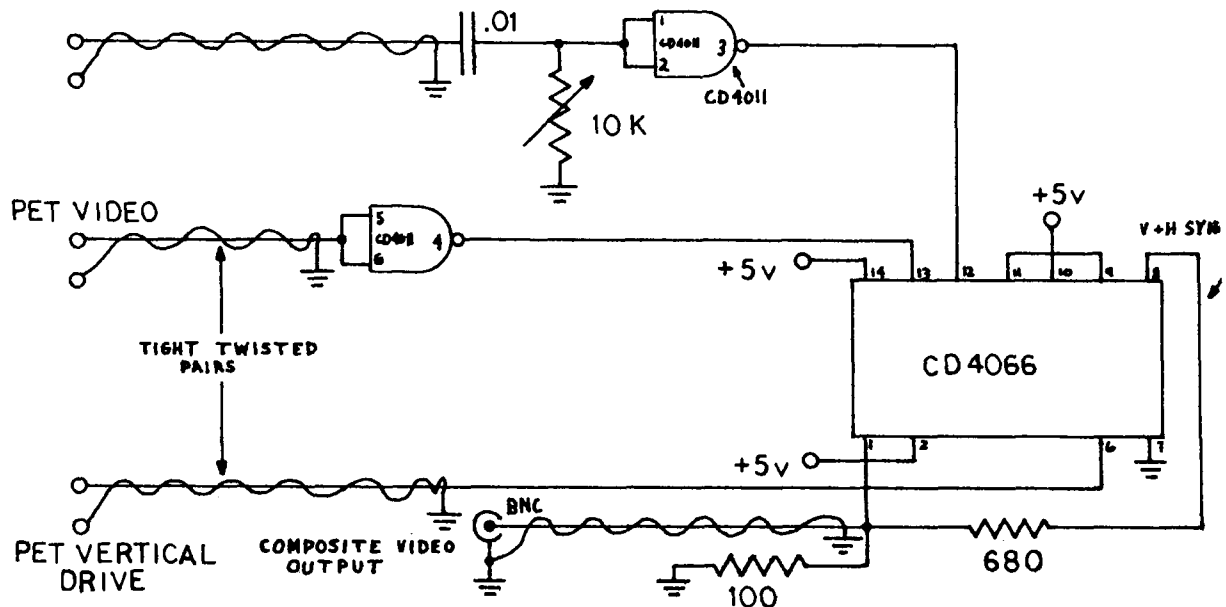
### OUTPUT WAVEFORM



and fed it with a twisted pair. I mounted the board under one of the bolts that hold the monitor to the main chassis and attached the drive twisted pairs to the existing ones for the monitor.

This circuit provides composite video output from the PET. I have used the output to drive two different video monitors with good success.

All three monitors I tried worked with this video output. The appearance of the video will be a function of the quality of the monitor. Some of the scrapped out commercial units available with the 10MHz and more bandwidths look excellent with the PET video. I have had a number of people comment that my 12" commercial monitor looks better than the built-in unit. The add-on does not alter the existing PET display in any way.



6:41

**MICRO**

## POWER FROM THE PET

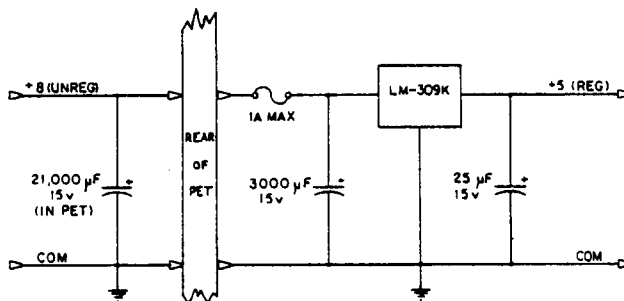
Karl E. Quosig  
2038 Hartnell Street  
Union City, CA 94587

It is by now well known that the PET has no source of power for use outside of itself. The only source available is at the second Cassette Interface. This +5 VDC line will not source very much current; in fact, it will not even run a second cassette recorder. Also, all the +5 VDC regulators inside the PET are already running quite warm. If you want to experiment with the PET, say with the Parallel User Port (Mos Technology 6522 VIA), then where do you get the power without a complicated power supply interface? The answer is simple. I found the following inside the PET. One, the bridge rectifier is good for 3 Amperes. Two, the PET draws 1.5 Amperes worst case load. Conclusion: it should be possible to get 1 Ampere out of the PET without straining a thing.

To do this, all we need to do is run a line from the + (positive) side of the PET's filter capacitor and make it available at the rear of the PET (I put a test lead jack between the Parallel and IEEE Ports). This is +8 VDC Unregulated and by attaching a 3-point Regulator (see diagram below), say at our project board, we have plenty of power for all sorts of home projects. As an example, I brought all of the Parallel User Port pinouts down a 24" ribbon cable along with the +8 VDC line to a chassis which has the +5 VDC regulator and other circuitry, and terminated this on a homebrew mother board comprised of

22-pin edgcard connectors. I can now experiment with things such as noise makers, joysticks, etc. and have plenty of power for them.

I believe this should be of great benefit for those of you who like to mess around with the hardware. Warning #1: If you are going to drill a hole in the PET as I did, disconnect all connectors (very, very gently) to the PET's Main Board and remove it before going to work. Clean inside thoroughly before re-installation. Warning #2: In your projects, do not connect inductive loads directly to any output of the PET. Inductive loads must be fully buffered.



6:42

# MICRO

## commodore Radio Shack **PET TRS-80** EITHER WAY... We've got software for you!

You can find out what our customers already know—Personal Software consistently offers great software products. Check out the programs below—they each represent many man-months of expert programming effort. We're sure you'll be pleased with the results.

**6502 ASSEMBLER IN BASIC** by Dan Fylstra for 8K PETs: Accepts all standard 6502 instruction mnemonics, pseudo-ops and addressing modes. Evaluates binary, octal, hex, decimal, and character constants, symbols and expressions. Assembles object programs anywhere in memory. Includes one and two pass versions of the assembler, text editor and disassembler, with a 30 page manual and PET machine language programming hints ..... **\$24.95**

**MICROCHESS 1.5** by Peter Jennings for 4K Level I and II TRS-80s: In Z-80 machine language, easily loaded from cassette using the CLOAD command (TBUG is not needed). Uses standard algebraic chess notation to describe moves, and checks every move for legality. Handles castling and en passant captures. You can play white or black, set up and play from special board situations, or even watch the computer play against itself! With 3 levels of chess play .... **\$19.95**

**BRIDGE CHALLENGER** by George Duisman for 8K PETs and 16K Level II TRS-80s: You and the dummy play four person Contract Bridge against the computer. The computer will deal hands at random or according to your criterion for high card points. You can review tricks, swap sides or replay hands when the cards are known. No longer do you need four people to play! ..... **\$14.95**

**ORDERS:** Check, money order or VISA/Master Charge accepted; programs and cassettes guaranteed. Our catalog describes many other great software products, including an ASTROLOGY program, a FOOTBALL game, a GRAPHICS utility package and many others. For your free copy, send a letter giving your PET or TRS-80 serial number, memory size, and your most wanted software product.

 **Personal Software™**   
P.O. Box 136-S9, Cambridge, MA 02138  
VISA/MC telephone orders welcome at (617) 783-0694

## PET SCHEMATICS

Another First From "PET-SHACK".

**For only \$34.95 you get:**

24" x 30" schematic of the CPU board, plus oversized schematics of the Video Monitor and Tape Recorder, plus complete Parts layout—all accurately and painstakingly drawn to the minutest detail.

## PET ROM ROUTINES

Another Breakthrough From  
"PET-SHACK"

**For only \$19.95 you get:**

Complete Assembly listings of all 7 ROMs, plus identified subroutine entry points; Video Monitor, Keyboard routine, Tape Record and Playback routine, Real Time Clock, etc.

To entice you we are also including our own Machine Language Monitor program for your PET using the keyboard and video display.

You can have the Monitor program on cassette for only **\$9.95 extra.**

**Now M.C. & VISA**

Send check or money order

TO: PET-SHACK Software House P37  
Marketing and Research Co.  
P. O. Box 966  
Mishawaka, IN 46544

CLASSIFIED INDEX: MICRO 1 - 6

APPLE	KIM-1	PET
Inside the Apple II Arthur Ferruzzi	Cheap Memory for the KIM-1 Byron Salzsieder	The PET's IEEE-488 Bus: Blessing or Curse? Charles Floto
Ludwig von Apple II Marc Schwartz	Hypertape and Ultratape Robert M. Tripp	Meet the PET Charles Floto
Machine Language Used in "Ludwig von Apple II" C. R. Carpenter	KIM-Based Degree Day Dispatcher Mike Rowe	The PET Vs. the TRS-80 Bob Wallace
Printing with the Apple II C. R. Carpenter	Making Music with the KIM-1 Armand L. Camus	The PET Vet Tackles Data Files Charles Floto
The Apple II Power Supply Revisited Rod Holt	D/A and A/D Conversion Using the KIM-1 Marvin L. De Jong	The PET Vet Examines Some BASIC Idiosyncrasies Charles Floto
Apple II Variables Chart C. R. Carpenter	Improving Keyboard Reliability MDS Technology	PET Software from Commodore Roy O'Brien
Apple II Printing Update C. R. Carpenter	Important Addresses of KIM-1 and Monitor William Dial	Early PET-Compatible Products Charles Floto
A Worm in the Apple? Mike Rowe	Employing the KIM-1 Microcomputer as a Timer and Data Logging Module Marvin L. De Jong	LIFE for Your PET Dr. Frank H. Covitz
An Apple-II Programmer's Guide Rick Auricchio	A Simple Frequency Counter Using the KIM-1 Charles R. Husbands	A BASIC 6502 Disassembler for Apple and PET Michael J. McCann
Half a Worm in the Apple Mike Rowe	Lighting the KIM-1 Display Marvin L. De Jong	Design of a PET/TTY Interface Charles R. Husbands
A Slow List for Apple BASIC Bob Sander-Cederlof	A Complete Morse Code Send/Receive Program Marvin L. De Jong	A Simple 6502 Assembler for the PET Michael J. McCann
A BASIC 6502 Disassembler for Apple and PET Michael J. McCann	A KIM Beeper Gerald C. Jenkins	PET Composite Video Output Cal E. Merritt
APPLEYER Music Interpreter Richard F. Suito	Block Hex Dump and Character Map Utility Program J. C. Williams	Power from the PET Karl E. Quosig
Apple II Accessories and Software Chuck Carpenter	A Debugging Aid for the KIM-1 Albert Gasper	A Partial List of PET Scratch Pad Memory Gary A. Creighton
Shaping Up Your Apple Michael Faraday		
Apple II Starwars Theme Andrew H. Eliason		
Apple PI Robert J. Bishop		

Brown and White and Colored All Over Richard F. Suito	6:33
Apple Integer BASIC Subroutine Pack and Load Richard F. Suito	6:44

Note: "Mike Rowe" is a pseudonym for the MICRO Staff. All other names are presumed to be real.

CLASSIFIED INDEX: MICRO 1 - 6

GENERAL

Terminal Interface Monitor (TIM) for the 6500  
Oliver Holt H 1:5

We're Number One!  
Robert M. Tripp E 1:6

Rockwell International and the 6502  
Arthur Ferruzzi P 1:10

6502 Related Companies  
Mike Rowe R 1:12

Computer Controlled Relays  
Robert M. Tripp HA 1:19

6502 Bibliography  
William Dial R Part I 1:21  
Part II 3:33  
Part III 4:35  
Part IV 5:37  
Part V 6:37

6502 Programmer's Reference Card  
Mike Rowe RS 1:8C

Mixing Apples and Oranges  
Robert M. Tripp E 2:8

MICRO Reviews: The First Book of KIM  
Robert M. Tripp P 2:14

The Challenge of the OSI Challenger  
Joel Henkel P 2:23

Hold That Data  
Gary L. Tater SM 3:11

Typesetting on a 6502 System  
Robert M. Tripp ASM 3:19

TIM Meets the S100 Bus  
Gary L. Tater H 3:25

The MICRO Software Catalog  
Mike Rowe RS Part I 4:23  
Part II 5:23  
Part III 6:23

Standard 6502 Assembly Syntax?  
Hal Chamberlin E 4:31

Writing for MICRO/MICRO Manuscript Cover Sheet  
Mike Rowe R 4:33

Key to Type of Article

A = Application or Utility  
B = BASIC Program  
E = Editorial or Point-of-View  
G = Game or Demonstration Program  
H = Hardware Information  
M = Machine or Assembly Language Program  
P = Product Information  
R = Reference Material  
S = Software Information  
T = Tutorial Material

ADVERTISEMENTS

AB Computers 1:20 3:27 4:30 6:12

CGRS Microtech 1:8 2:8 3:27 4:21

Color-Tech TV 6:13

Computer Components of  
Orange County 2:16 3:17 4:29  
5:IFC 6:14

The Computer Doctor 2:24

Computer Shop 1:28 2:26 3:2 5:2 6:IFC

The Computer Store - Windsor Locks 4:2 5:BC

The Computerist 1:2 2:2 3:IBC 4:IFC  
4:26 6:10

Connecticut microComputer 6:22

Darrell's Appeware House 6:36

The Enclosure Group 1:IFC 2:IFC 3:IFC 4:44  
5:IBC 6:2

F & D Associates 2:2

Forethought Products 1:8 3:27

Jade Computer Products 2:20

KL Power Supplies 1:20 3:18 4:33

Microcomputer Associates 1:8 1:20

Micro-Psych 6:21

Micro Technology Unlimited 4:21

New England Electronics Co. 5:27

Personal Software 6:42

PET-SHACK Software House 5:27 6:42

Pyramid Data Systems 1:20 2:8 3:12

Riverside Electronic 2:22 3:18 4:12 5:8

Speakeasy Software Ltd. 5:31

The Tax Store 6:12

United Microsystems Corporation 6:32

6502 Interfacing for Beginners:  
TH  
Marvin L. De Jong 5:15  
Address Decoding I 6:29  
Address Decoding II

Rockwell's New R6500/1  
Rockwell International P 5:14

Rockwell's AIM is Pretty Good  
Rockwell International P 5:19

Synertek's VIM-1  
Synertek Incorporated P 5:28

MICRO Reviews: Programming a Micro-Computer:  
6502, by Caxton C. Foster  
James R. Witt, Jr. P 6:39

6:44

MICRO

## APPLE INTEGER BASIC SUBROUTINE PACK AND LOAD

Richard F. Suitor  
166 Tremont Street  
Newton, MA 02158

[Although this article is Copyrighted by The COMPUTERIST, Inc., at the authors request permission is hereby given to use the subroutine and to distribute it as part of other programs.]

The first issue of CONTACT, the Apple Newsletter, gave a suggestion for loading assembly language routines with a BASIC program. Simply summarized, one drops the pointer of the BASIC beginning below the assembly language portion, adds a BASIC instruction that will restore the pointer and SAVES. The procedure is simple and effective but has two limitations. First, it is inconvenient if BASIC and the routines are widely separated (and is very tricky if the routines start at \$800, just above the display portion of memory). Second, a program so saved cannot be used with another HIMEM, and is thus inconvenient to share or to submit to a software exchange.

The subroutine presented here avoids these difficulties at the expense of the effort to implement it. It is completely position independent; it may be moved from place to place in core with the monitor move command and used at the new location without modification. It makes extensive use of SWEET16, the 16 bit interpreter supplied as part of the Apple Monitor ROM.

To use the routine from Apple Integer BASIC, CALL MKUP, where MKUP is 128 (decimal) plus the first address of the routine. The prompt shown is "@". Respond with the hex limits of the routine to be stored, as BBBB.EEEE (BBBB is the beginning address, EEEE is the ending; the same format that the monitor uses). Several groups may be specified on one line separated by spaces or several lines. Type S after the last group to complete the pack and return to BASIC. The program can now be saved.

To load, enter BASIC and LOAD. When complete, RUN. The first RUN will move all routines back to their original location and return control to BASIC. It will not RUN the program; subsequent RUNs will.

A LIST of the program after calling MKUP and before the first RUN will show one BASIC statement (which initiates the restoration process) and gibberish. If this is done, RESET followed by CTRL C will return control to BASIC.

WARNING #1: The routine must be placed in core where it will not overwrite itself during the Pack. The start of the routine must be above HIMEM (e.g. in the high resolution display region) or \$17A + 4\*N + W below the start of the BASIC program, where N is the number of routines stored and W is the total number of words in all of these routines. Also, those routines that are highest in memory should be packed first to avoid overwriting during pack or restore. Otherwise it is not necessary to worry about overwriting during the restore process; only \$1A words just below the BASIC program are used.

WARNING #2: Do not attempt to edit the program after calling MKUP. If editing is necessary, RUN once to unpack, then edit and call MKUP again.

The routine works as follows. It first packs the restore routine just below the BASIC program. It then packs other routines as requested, with first address and number of bytes (words). When S is given, it packs itself with the information to restore LOMEM and the beginning of the BASIC program. The first \$46 words of the routine form a BASIC statement which will initiate the restoration process when RUN is typed.

If a particular HIMEM is needed by the program (e.g. for high resolution programs) it must be entered before LOADING. The LOMEM will be reset by the restoration process to the value it had when MKUP was called.

I do not have a SWEET16 assembler, hence all of those op codes are listed as tables of data. In the listing, comments indicate where constants and relative displacements are differences between labels in the routine.

Some convenient load and entry points are:

BASO (load)	hex	hex	MKUP (entry)	decimal
	800	880		2176
	A90	B10		2832
	104C	10CC		4300
	2050	20D0		8400
	3054	30D4		12500

Editor's Note: While we encourage the use and distribution of this subroutine, we do request that proper credit be given. Please place the following notice on any copies that you make:

"This PACK & LOAD Subroutine was written by:  
Richard F. Suitor and published in MICRO #6."

		0010	:	INT	BASIC	SUBR	PACK	&	LOAD		
		0020	:	CALL	BAS0+128	(DEC)					
		0030		ACCL	.DL	0000					
		0040		BSOL	.DL	0002					
		0050		TABL	.DL	0004					
		0060		TBCL	.DL	0006					
		0070		HIMS	.DL	0008				SYMBOL	TABLE
		0080		LMRT	.DL	000A				ACCL	0000
		0090		BPRG	.DL	000C				BSOL	0002
		0100		FRML	.DL	000E				TABL	0004
		0110		NBYT	.DL	0010				TBCL	0006
		0120		BPR2	.DL	0012				HIMS	0008
		0130		PTLL	.DL	0014				LMRT	000A
		0140		XTAB	.DL	0016				BPRG	000C
		0150		SKPL	.DL	0018				FRML	000E
		0160		MODE	.DL	0031				NBYT	0010
		0170		YSAV	.DL	0034				BPR2	0012
		0180		PRMP	.DL	0033				PTLL	0014
		0190		LMML	.DL	004A				XTAB	0016
		0200		HIML	.DL	004C				SKPL	0018
		0210		LMWL	.DL	00CC				MODE	0031
		0220		BBSL	.DL	00CA				YSAV	0034
		0230		JSRL	.DL	00CE				PRMP	0033
		0240		BSC2	.DL	E003			BASIC	LMML	004A
		0250		BUFF	.DL	0200				HIML	004C
		0260		GTNM	.DL	FFA7				LMWL	00CC
		0270		PBL2	.DL	F94A				BBSL	00CA
		0280		CDUT	.DL	FDED				JSRL	00CE
		0290		BELL	.DL	FF3A				BSC2	E003
		0300		GTLN	.DL	FD67				BUFF	0200
		0310		SW16	.DL	F689				GTNM	FFA7
		0320	:	BASIC	INST.	TO	RESTORE			PBL2	F94A
		0330		BAS0	.HS	46000064B101				CDUT	FDED
0800	460000									BELL	FF3A
0803	64B101									GTLN	FD67
0806	0065B7	0340		.HS	0065B74C000364B2					SW16	F689
0809	4C0003									BAS0	0800
080C	64B2									PTBK	0846
080E	020065	0350		.HS	020065382E3FB2CA					PT02	0849
0811	382E3F									PT04	0870
0814	B2CA									MKUP	0880
0816	007212	0360		.HS	007212B74600721F					MK21	0882
0819	B74600									MK22	08B3
081C	721F									MK01	08B4
081E	B20001	0370		.HS	B200010364B30300					MK06	08CA
0821	0364B3									MERR	08D1
0824	0300									MK05	08DE
0826	65382E	0380		.HS	65382E3FB2CB0072					MK02	08E1
0829	3FB2CB									MV51	08EB
082C	0072									MV52	08F5
082E	12382E	0390		.HS	12382E3FB2CA0072					SM02	0909
0831	3FB2CA									SM03	090B
0834	0072									MK09	090C
0836	12B746	0400		.HS	12B746007215B200					MK11	091A
0839	007215									MK12	091B
083C	B200									MK10	0932
083E	017203	0410		.HS	0172034DB1010001					SM04	0946
0841	4DB101									PTLP	0952
0844	0001									PLP0	0955
		0420	:	INIT.	RESTORE	OP				PLP1	095A
0846	D8	0430		PTBK	CLD					PLP2	0966
0847	A201	0440			LDX	01				ST16	096A
0849	B5CA	0450		PT02	LDA	♦BBSL,X					
084B	9502	0460			STA	♦BSOL,X					
084D	B54C	0470			LDA	♦HIML,X					
084F	9508	0480			STA	♦HIMS,X					
0851	CA	0490			DEX						
0852	10F5	0500			BPL	PT02					
0854	2089F6	0510			JSR	SW16					



0857	105201	0520	.HS	105201	PLTP-BAS0
085A	185701	0530	.HS	185701	PLTP+5-BAS0
085D	A13767	0540	.HS	A13767356736	
0860	356736				
0863	24B636	0550	.HS	24B636	
0866	1A1100	0560	.HS	1A1100	ST16+1-PLP1
0869	BA3A	0570	.HS	BA3A	
086B	6733	0580	.HS	6733	
086D	00	0590	.HS	00	
086E	A201	0600	LDX	01	
		0610	:SET	LOMEM & BASIC PR06 START	
0870	B50A	0620	PT04 LDA	◄LMRT,X	
0872	954A	0630	STA	◄LMML,X	
0874	95CC	0640	STA	◄LMWL,X	
0876	B50C	0650	LDA	◄BPRG,X	
0878	95CA	0660	STA	◄BBSL,X	
087A	CA	0670	DEX		
087B	10F3	0680	BPL	PT04	
087D	6C1400	0690	JMP	(PTLL) TO RESTORE LP	
		0700	:SUBR	TO SET UP PACK	
0880	A201	0710	MKUP	LDX 01	
0882	B54A	0720	MK21 LDA	◄LMML,X	
0884	950A	0730	STA	◄LMRT,X	
0886	B5CA	0740	LDA	◄BBSL,X	
0888	9512	0750	STA	◄BPR2,X	
088A	950C	0760	STA	◄BPRG,X	
088C	B5CE	0770	LDA	◄JSRL,X	
088E	9504	0780	STA	◄TABL,X	
0890	B54C	0790	LDA	◄HIML,X	
0892	9508	0800	STA	◄HIMS,X	
0894	CA	0810	DEX		
0895	10EB	0820	BPL	MK21	
		0830	:INIT	& PACK RESTORE LP	
0897	2089F6	0840	JSR	SW16	
089A	24B939	0850	.HS	24B939	
089D	118000	0860	.HS	118000	MKUP-BAS0
08A0	22B131	0870	.HS	22B131	
08A3	105201	0880	.HS	105201	PLTP-BAS0
08A6	A13218	0890	.HS	A132181800	ST16-PTLP
08A9	1800				
08AB	A833E3	0900	.HS	A833E3	
08AE	1C5000	0910	.HS	1C5000	
08B1	0C42	0920	.HS	0C42	MV52-MK22
08B3	00	0930	MK22 .HS	00	
08B4	A9C0	0940	MK01 LDA	0C0	
		0950	:GET	LIMITS & PACK PROGS	
08B6	8533	0960	STA	◄PRMP	
08B8	A900	0970	LDA	0	
08BA	8531	0980	STA	◄MODE	
08BC	2067FD	0990	JSR	GTLN	
08BF	8616	1000	STX	◄XTAB	
08C1	A000	1010	LDY	00	
08C3	B90002	1020	LDA	BUFF,Y	
08C6	C9D3	1030	CMP	0D3	S
08C8	F068	1040	BEQ	MK10	
08CA	20A7FF	1050	MK06 JSR	GTNM	
08CD	C9A7	1060	CMP	0A7	F(.,.)
08CF	F010	1070	BEQ	MK02	
08D1	98	1080	MERR	TYA	
08D2	AA	1090	TAX		
08D3	204AF9	1100	JSR	PBL2	ERROR INDICATOR
08D6	A95E	1110	LDA	^	
08D8	20EDFD	1120	JSR	CDUT	
08DB	203AFF	1130	JSR	BELL	
08DE	18	1140	MK05	CLC	
08DF	90D3	1150	BCC	MK01	
08E1	E631	1160	MK02	INC ◄MODE	
08E3	20A7FF	1170	JSR	GTNM	

```

1180 :A1 & A3 NOW HAVE 1ST =,A2 2D
1190 :SET UP MOVE TO JUST BELOW (BBSL)
1200 :AND LOWER BBSL
08E6 2089F6 1210 JSR SW16
08E9 011E 1220 .HS 011E SM02-MV51
08EB 183C00 1230 MV51 .HS 183C0068326833
08EE 683268
08F1 33
08F2 B238E3 1240 .HS B238E3
08F5 839623 1250 MV52 .HS 839623D207FA
08F8 D207FA
08FB 283318 1260 .HS 2833180800
08FE 0800
0900 889688 1270 .HS 8896889688968896
0903 968896
0906 8896
0908 0B 1280 .HS 0B
0909 0CE0 1290 SM02 .HS 0CE0 MV51-SM03
090B 00 1300 SM03 .HS 00
090C C9EC 1310 MK09 CMP 0EC F('S')
090E F022 1320 BEQ MK10
0910 C9C6 1330 CMP 0C6 F(CR)
0912 F0A0 1340 BEQ MK01
0914 C999 1350 CMP 99 BLANK
0916 F003 1360 BEQ MK12
0918 D0B7 1370 BNE MERR
091A C8 1380 MK11 INY
091B B90002 1390 MK12 LDA BUFF,Y
091E C416 1400 CPY ←XTAB
0920 B092 1410 BCS MK01
0922 C9A0 1420 CMP 0A0 BLANK
0924 F0F4 1430 BEQ MK11
0926 C98D 1440 CMP 8D
0928 F08A 1450 BEQ MK01
092A C9D3 1460 CMP 0D3 S
092C F004 1470 BEQ MK10
092E C631 1480 DEC ←MODE
0930 F098 1490 BEQ MK06 ALWAYS
1500 :PACK 1ST PART & CLEAN UP
0932 2089F6 1510 MK10 JSR SW16
0935 2132 1520 .HS 2132
0937 185201 1530 .HS 185201 PTLP-BAS0
093A A83725 1540 .HS A83725772977
093D 772977
0940 2177 1550 .HS 2177
0942 2733 1560 .HS 2733
0944 0CAF 1570 .HS 0CAF MV52-SM04
0946 6666 1580 SM04 .HS 6666
0948 00 1590 .HS 00
0949 A50C 1600 LDA ←BPR6
094B 85CA 1610 STA ←BBSL
094D A50D 1620 LDA ←BPR6+01
094F 85CB 1630 STA ←BBSL+01
0951 60 1640 RTS
1650 :RESTORE LOOP
0952 2089F6 1660 PTLP JSR SW16
0955 613361 1670 PLP0 .HS 6133613800 GET POINT
0958 3800
095A 2089F6 1680 PLP1 JSR SW16
095D 4153F8 1690 .HS 4153F804FB
0960 04FB
0962 21D605 1700 .HS 21D605
0965 EF 1710 .HS EF PLP0-PLP2
0966 00 1720 PLP2 .HS 00
0967 4C03E0 1730 JMP BSC2
096A 00 1740 ST16 .HS 00
1750 .EN

```

## A PARTIAL LIST OF PET SCRATCH PAD MEMORY

Gary A. Creighton  
625 Orange Street, No. 43  
New Haven, CT 06510

A function and a symbol defined:

DEF FN IND(LOC) = PEEK(LOC+!)\*256+PEEK(LOC)

Which specifies an indirect address in the form:LOC+1=(Page)  
LOC =(Item)

M(LOC)	specifies contents of a memory location.
M(0)	JMP instruction
FN IND(1)	USR jump location
M(3)	Present I/O Device Number (suppress printout)
M(5)	POS function store
FN IND(8)	Arguments of commands with range 0 to 65535 (PEEK,POKE,WAIT,SYS,GOTO,GOSUB,Line Number,RAM check)
M(10-89)	Input Buffer
M(90-98)	Flags for MISMATCH, Distinguishing between similar subroutines, etc.
M(91)	Ignore Code Value and do direct (between quotes, etc.)
M(98)	(0 INPUT, 64 GET/GET#, 152 READ) Flag
FN IND(113)	Transfer Number pointer
FN IND(115)	Number pointer
FN IND(122)	Begin Basic Code pointer
FN IND(124)	Begin Variables pointer
FN IND(126)	Variable List pointer
FN IND(128)	End Variables pointer
FN IND(130)	Lowest String Variables pointer
FN IND(132)	Highest String Variables pointer
FN IND(134)	First Free After Strings pointer
FN IND(136)	Present Line Number (if M(137)=255, no line number)
FN IND(138)	Line Number at BREAK
FN IND(140)	Continue Run pointer (if M(141)=0, can't continue)
FN IND(142)	Line Number of Present DATA line
FN IND(144)	Next DATA pointer (for READ)
FN IND(146)	Next Data/Input After Last Comma pointer
M(148)	Coded 1st Character of Last Variable
M(149)	Coded 2nd Character of Last Variable
FN IND(150)	Variable pointer (all variables)
FN IND(152)	Variable pointer
M(156)	Comparison Symbol Accumulator (<=>)
FN IND(157)	Pointer to FN pointer
M(157-161)	Number Store/Work area (SQR)
M(163-165)	JMP (FN IND(164))
FN IND(164)	Function Jump address
M(166-170)	Number Store/Work area (Transcendentals (not EXP) & SQR)
M(171-175)	Number Store/Work area (Transcendentals & SQR)
M(176-181)	Main Number Store/Work area
M(181)	Number Sign
M(184-189)	Secondary Number Store/Work area
M(192)	Length of things in Input Buffer M(10-89) or Length of things in Output Number M(256- )...other
M(194-217)	Subroutine: Point through code one at a time, RTS with code value in accumulator and Carry Flag Clear if 0 if end of line. Ignore Spaces. <span style="float: right;">ASC(0-9)</span>
FN IND(201)	Code Pointer
M(218-222)	Number Store/Work area (RND)
FN IND(224)	Screen Memory Row location
M(226)	Screen Column position

FN IND(227) Move Memory (from or to) pointer  
 M(234) Quote flag (0 end quote)(1 begin quote)  
 M(238) Length of File name after SAVE VERIFY etc.  
 M(239) File #  
 M(240) I/O Option (0 read, 1 write, 2 write/EOT)  
 M(241) Device # (0 keyboard, 1 tape#1, 2 tpa#2, 3 screen)  
 M(242) Wraparound flag (39 single line, 79 2nd of double line)  
 FN IND(243) Tape #1 or #2 Buffer pointer  
 M(245) Screen Row (0 - 24)  
 FN IND(247) Load into/ Verify from? Save into pointer  
 M(251) Insert Counter ( INST)  
 M(256) Minus sign or Space for Output Number  
 M(256- ) Output Number ASC Digits til a Null (0) or  
 Tape Read Working Storage  
 M(311?-511) Stack area  
 M(512-514) TI clock  
 M(515) Only One Value per Keypush flag  
 M(516) SHIFT flag (0 no shift, 1 shift)  
 M(517-518) TI Update Interrupt Counter  
 M(521) or Bit Cancel Keys  
 M(59410) Turns bits off under the following rules:

BIT	KEY	DECIMAL #	
0	RVS	254	
1		253	
2	space	251	More than one key
3		247	
4	stop	239	may be pushed at once.
5	(none)		
6		191	Decimal # is Binary
7		127	equivalent.

M(523) VERIFY/LOAD flag (0 LOAD, 1 VERIFY)  
 M(524) ST Status  
 M(525) Key Pushed Counter (MOD 10)  
 M(526) RVS flag (0 RVS off, 1 RVS on) (or any key pushed)  
 M(527-536) Input Run Buffer (keys stored during a RUN  
 FN IND(537) Interrupt Vector (normally at: Store Keypush  
 FN IND(539) BRK instruction Vector (User loaded) in Input Run Buffer)  
 M(547) Keyboard Input Code  
 (Stays equal to Input code til finger off key,  
 Matches up one to one with M(59228-59307) which is  
 Keyboard Input Code to ASC Code Table)  
 M(548) Blink Cursor flag (if 0 (no key pushed))  
 M(549) Cursor Blink Duration counter (20 interrupts)  
 M(550) Screen Value of Input Char. when Cursor moves on  
 M(551) Insure no Cursor Breadorumbs left behind  
 M(553-577) Screen Page Array / single or double Line flags  
 M(578-587) File # of one of 10 files  
 M(588-597) Device # of one of 10 files  
 M(598-607) I/O option one of 10 files  
 M(608) Input from screen/Input from keyboard flag  
 M(610) Number of Open Files  
 M(611) Device Number of Input Device (0 keyboard normally)  
 M(612) Device Number of Output Device (3 screen normally)  
 M(616) Tape Buffer Item Counter  
 M(634-825) Tape #1 Buffer area  
 M(826-1023) Tape #2 Buffer area